

KOHLER®

Wellworth® Classic

The Complete Solution® two-piece round-front toilet,
1.28 gpf
K-11464

Features

- The Complete Solution toilets provide everything you need, including bowl, tank, seat, wax ring, and hardware
- Class Five® canister optimizes the flow out of the tank, harnessing gravity and the natural powerful reducing cascade of water to increase the power and effectiveness of the flush
- Two-piece design
- KOHLER's canister flush valve harnesses the natural force of gravity and optimizes flushing performance
- 1.28 gpf high-efficiency toilets provide significant water savings of up to 16,500 gallons per year versus an old 3.5-gallon toilet without sacrificing performance
- Qualifies as an HET(High-Efficiency Toilet). Consumer rebates are available in some municipalities
- Round-front bowl
- 2-1/8" (54 mm) fully glazed trapway
- 1.28 gpf (4.8 lpf)
- Left-hand trip lever

Installation

- Supply line sold separately
- Floor-mount /floor outlet
- Standard 12" (305 mm) rough-in

Recommended Products/Accessories

K-5589 Purefresh® Deodorizing round-front toilet seat
K-5420 Low-Profile Bolt Caps
K-23726 Drain treatment

Included Components

K-4197 Round-front toilet bowl
K-4775 Brevia™ Quick-Release™ round-front toilet seat



Codes/Standards

ASME A112.19.2/CSA B45.1
DOE - Energy Policy Act 1992
EPA WaterSense®
California Energy Commission (CEC)
IAPMO Certification

KOHLER® Toilets and Seats Limited Warranty

See website for detailed warranty information.

1-800-4KOHLER (1-800-456-4537)

Kohler Co. reserves the right to make revisions without notice to product specifications.

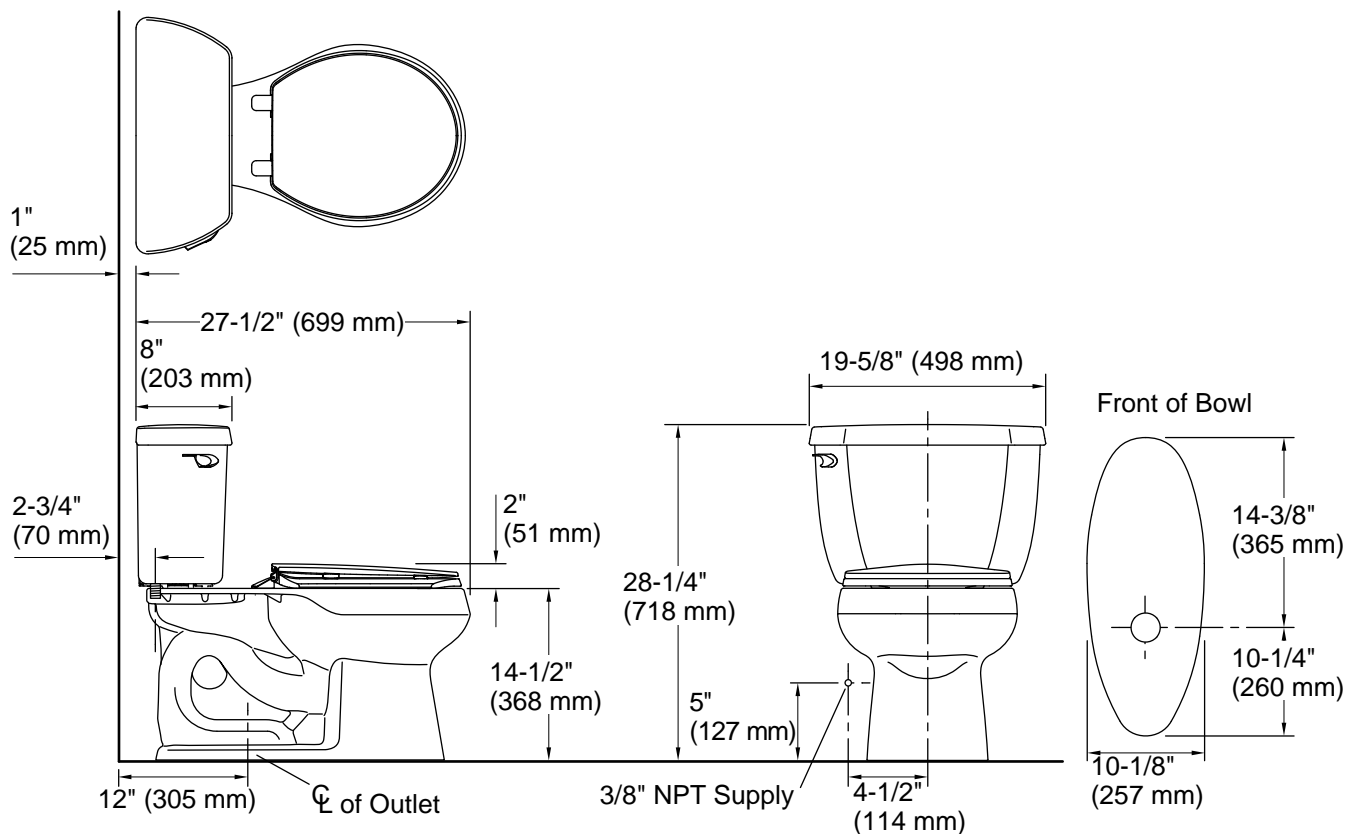
For the most current Specification Sheet, go to www.kohler.com USA or www.kohler.ca Canada

12-9-2024 20:26 - US/CA

THE BOLD LOOK
OF **KOHLER**®



Wellworth® Classic
The Complete Solution® two-piece round-front toilet,
1.28 gpf
K-11464



Technical Information

All product dimensions are nominal.

Toilet type:	Floor-mount
Bowl shape:	Round-front
Flush type:	Class Five
Trap passageway:	2-1/8" (54 mm)
Water surface size:	10-1/2" x 7-3/4" (267 mm x 197 mm)
Rim to water surface:	5-1/4" (133 mm)
Rough-in:	12" (305 mm)
Seat-mounting holes:	5-1/2" (140 mm)

Notes

Install this product according to the installation instructions.