

KOHLER® Faucets

Tall single-handle bathroom sink faucet, cold water only, 26.1 lpm
K-11543IN-4

July®

Features

- Versatile modern design
- For use with cold water line only
- Single handle provides on/off activation and volume control
- 3.76 inch (96 mm) spout reach
- 6.3 inch (160 mm) spout height
- Tall height is ideal for vessel-style sinks
- 6.9 gpm (26.1 lpm) maximum flow rate at 43.5 psi (3.0 bar)
- Aerated flow delivers a smooth, steady stream of water
- KOHLER ceramic disc valves exceed industry longevity standards by over two times, ensuring durable performance for life

Material

- Premium metal construction for durability and reliability
- KOHLER® finishes resist corrosion and tarnishing

Installation

- Deck-mount
- Single-hole installation






Codes/Standards

None Applicable

See website for detailed warranty information.

Available Colors/Finishes

Color tiles intended for reference only.

Color	Code	Description
	CP	Polished Chrome
	AF	Vibrant® French Gold
	BN	Vibrant® Brushed Nickel

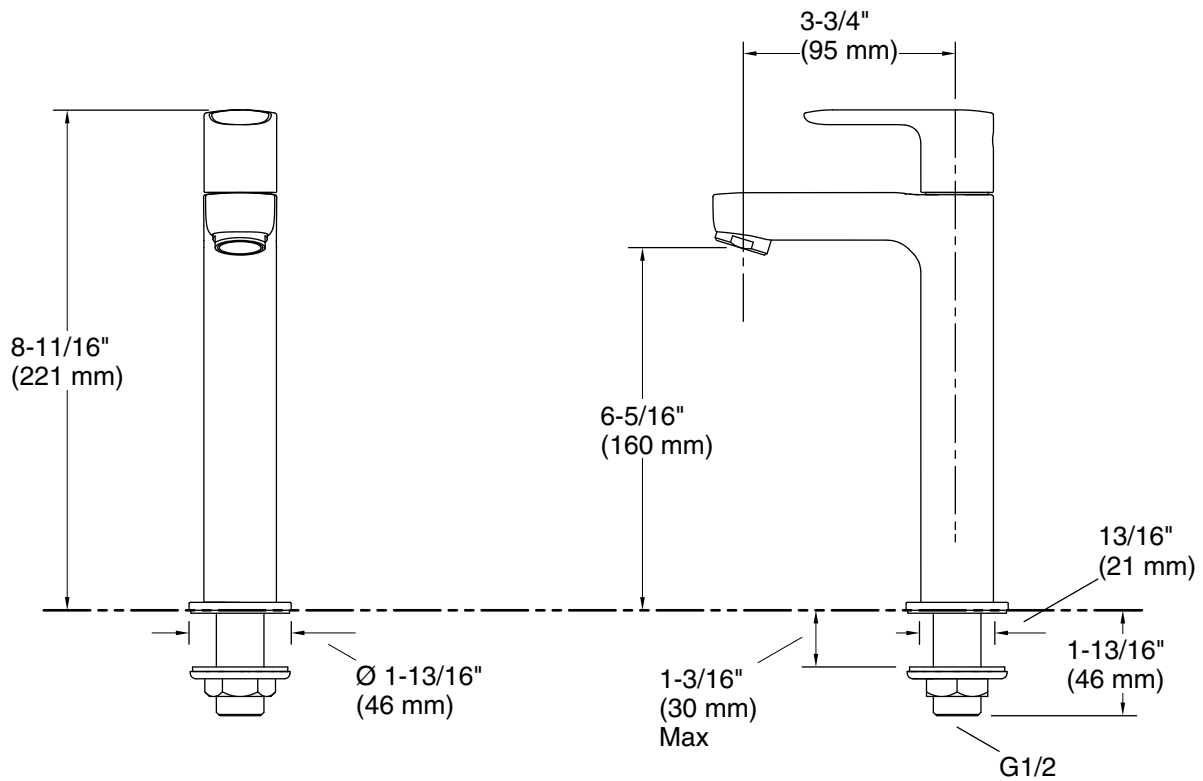
Customer Care: +91-124-4319685 / 86

Kohler Co. reserves the right to make revisions without notice to product specifications.

For the most current Specification Sheet, go to <http://www.kohler.co.in>.

9-23-2024 03:54 - IN

THE BOLD LOOK
OF **KOHLER®**



Technical Information

All product dimensions are nominal.

Faucet:

Flow rate: 6.9 gal/min (26.1 l/min)

Drain included: No

Drain with overflow: No

Notes

Install this product according to the installation guide.