

Features

- Spacious design accommodates up to two bathers
- Corner layout minimizes footprint without compromising bathing area
- Integral lumbar support and armrests offer extra comfort while bathing
- Integral flange helps prevent water from seeping behind wall and simplifies alcove installation
- Integral faucet deck

Material

- Acrylic

Installation

- Corner alcove

Required Products/Accessories

K-T37391 Rotary-turn bath drain trim

K-T37392 Rotary-turn bath drain trim

or

K-37383 Rough-in cable bath drain, PVC, 30" cable with tubing

K-78438 30" cable bath drain

or

K-37385 rough-in cable drain, PVC, 45" cable

K-78439 45" cable bath drain

Recommended Products/Accessories

K-1491 Bath/Whirlpool Pillow

K-1601 Bath/whirlpool footstop, removable

K-7213 27" Cable Bath Drain

K-7214 27" Cable Bath Drain

K-7259 Brass toe tap bath drain

K-23726 Drain treatment

K-23732 Tub & shower cleaner

K-7265 Brass toe tap bath drain



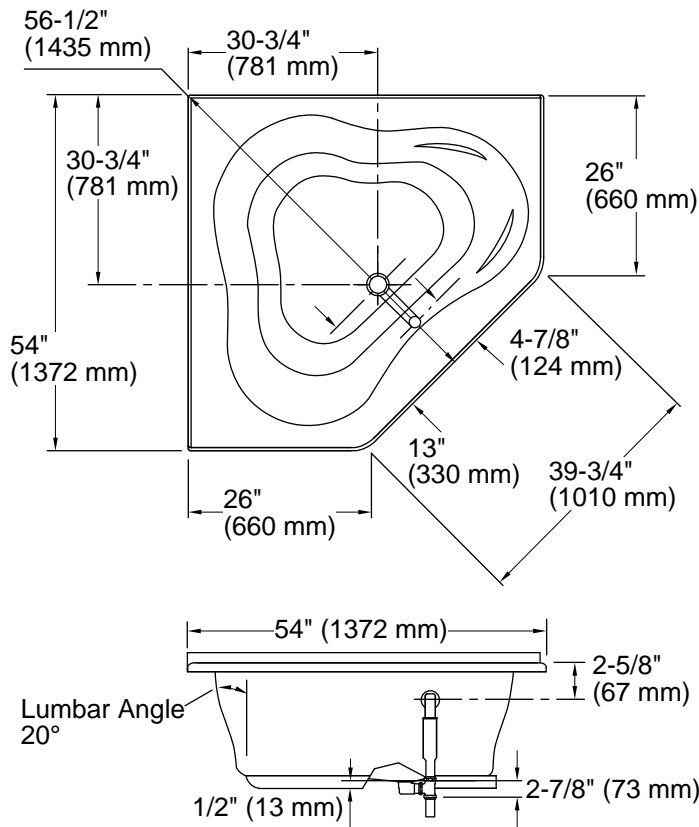
Codes/Standards

CSA B45.5/IAPMO Z124

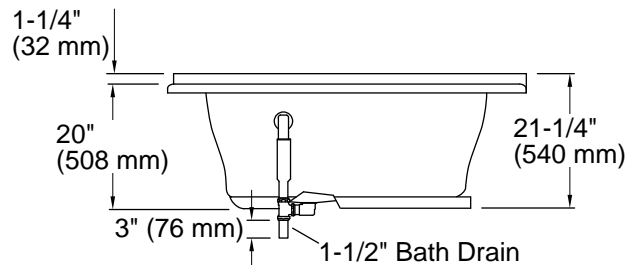
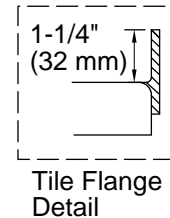
IAPMO Certification

KOHLER® Plastic Baths and Receptors Lifetime Limited Warranty

See website for detailed warranty information.



No change in measurements if connected with drain illustrated. (K-11677)



Technical Information

All product dimensions are nominal.

Drain location:	Center
Basin area, bottom:	44" x 36" (1118 mm x 914 mm)
Basin area, top:	56" x 43" (1422 mm x 1092 mm)
Weight:	51 lbs (23.1 kg)
Minimum floor load:	35 lbs/ft ² (170.9 kg/m ²)
Water depth:	15" (381 mm)
Water capacity:	76 gal (287.7 L)

Notes

Measure your actual product for rough-in details.

Install this product according to the installation instructions.

The hot water supply should be 70% of the capacity of the bath or greater. Installations will vary.