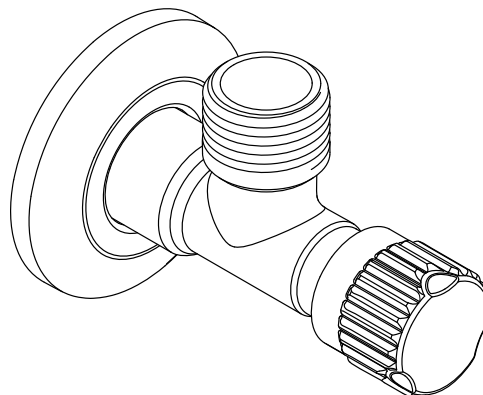


## Features

- Brass corrosion
- Thread = G 1/2
- Includes flange

## Material

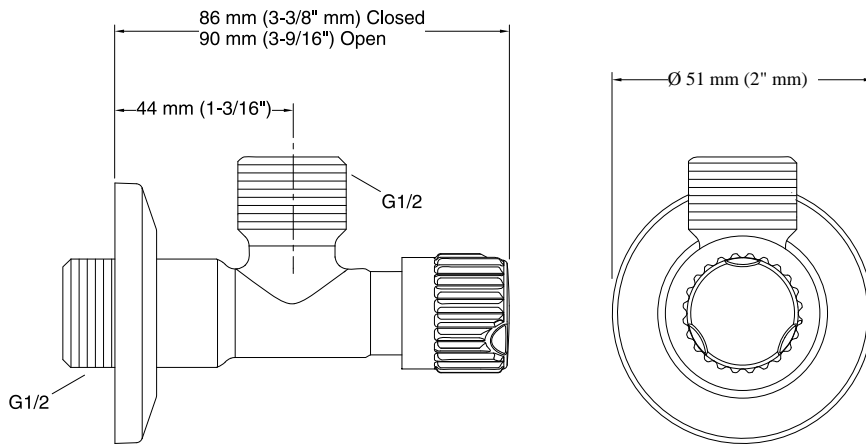
- KOHLER<sup>®</sup> finishes resist corrosion and tarnishing



## Codes/Standards

None Applicable

See website for detailed warranty information.



### Technical Information

All product dimensions are nominal.

### Notes

Install this product according to the installation instructions.