

## Features

- 59-1/16" (1500 mm) handshower hose
- Swivel base helps reach target areas
- Anti-twist design makes showering easier
- Smooth design is easy to clean
- For use with a handshower (sold separately)
- G 1/2 connection

## Material

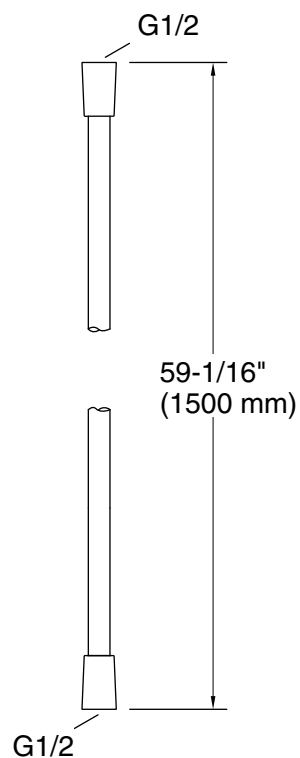
- Premium material construction for durability and reliability
- KOHLER® finishes resist corrosion and tarnishing



## Codes/Standards

Plumbing Standards  
GB/T 23448

See website for detailed warranty information.



## Technical Information

All product dimensions are nominal.

Drain included: No

Drain with overflow: No

## Notes

Install this product according to the installation instructions.