

Features

- Single-speed whirlpool offers performance and value, with six fully adjustable jets
- Hydromassage flow and direction can be controlled at each jet
- Oval basin creates a spacious bathing experience
- Integral lumbar support and armrests offer extra comfort while bathing

Material

- Acrylic

Hydrotherapy

- Whirlpool

Installation

- Reversible drain
- Drop-in or undermount

Recommended Products/Accessories

- K-11677 Bath Drain
- K-1491 Bath/Whirlpool Pillow
- K-1601 Bath/whirlpool footstop, removable
- K-576 Undermount installation kit for K-1162/K-1163 baths
- K-7213 27" Cable Bath Drain
- K-7214 27" Cable Bath Drain
- K-23726 Drain treatment
- K-23732 Tub & shower cleaner
- K-31796 Above-the-floor bath drain kit
- K-31798 Bath drain kit



Codes/Standards

- ASME A112.19.7/CSA B45.10
- CSA B45.5/IAPMO Z124
- ASTM E162
- ASTM E662
- UL 1795
- IAPMO Certification
- UL Listed

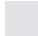

KOHLER® Plastic Baths and Shower Bases Lifetime Limited Warranty KOHLER® Hydrotherapy Components Five-Year Limited Warranty

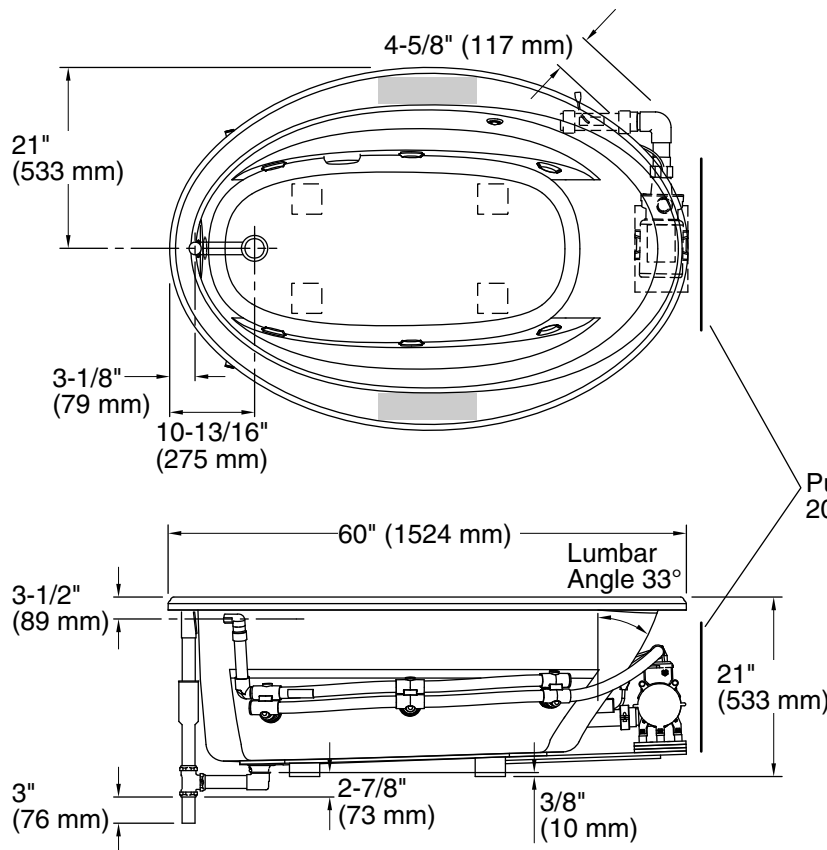
See website for detailed warranty information.

Available Colors/Finishes

Color tiles intended for reference only.

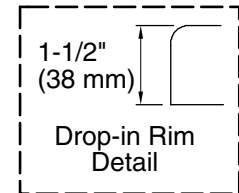
Color Code Description

	0	White
	96	Biscuit

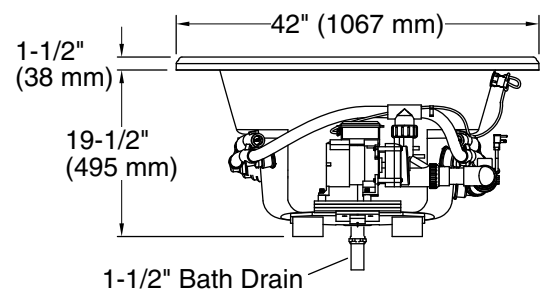


No change in measurements if connected with drain illustrated. (K-11677)

Recommended faucet area



Pump/Control Access
20" (508 mm) W x 15" (381 mm) H



Required Electrical Service

One dedicated circuit required, protected with Class A Ground-Fault Circuit-Interrupter (GFCI). Outside North America, this device may be known as a Residual Current Device (RCD).

Pump: 120 V, 15 A, 60 Hz

Technical Information

All product dimensions are nominal.

Drain location: Reversible
 Basin area, bottom: 43" x 21-9/16" (1092 mm x 548 mm)
 Basin area, top: 53-1/2" x 32-1/8" (1359 mm x 816 mm)
 Weight: 110 lbs (49.9 kg)
 Minimum floor load: 35 lbs/ft² (170.9 kg/m²)
 Water depth: 15" (381 mm)
 Water capacity: 57 gal (215.8 L)
 Template: Drop-in, 1042556-7, required, included
 Electrical component Pump: 120 V, 7.5 A, 60 Hz
 rating:
 Pump speed: Single

Notes

Measure your actual product for rough-in details.

Install this product according to the installation instructions.

The hot water supply should be 70% of the capacity of the bath or greater. Installations will vary.

Kit is required for under-mount installations (sold separately).

The suction line extends 4-5/8" (117 mm) beyond the edge of the rim. The pump base extends 1/8" (3 mm) beyond the edge of the rim. Modify the framing as needed.