



Sunward®
60" x 42" drop-in bath with Bask® heated surface
K-1163-W1

Features

- Bask® heated surface creates spa-like relaxation with soothing warmth on your back, shoulders, and neck
- Three heat settings allow you to customize the surface temperature
- Oval basin creates a spacious bathing experience
- Integral lumbar support and armrests offer extra comfort while bathing

Material

- Acrylic

Installation

- Reversible drain
- Drop-in or undermount

Recommended Products/Accessories

- K-11677 Bath Drain
- K-1491 Bath/Whirlpool Pillow
- K-1601 Bath/whirlpool footstop, removable
- K-576 Undermount installation kit for K-1162/K-1163 baths
- K-23726 Drain treatment
- K-23732 Tub & shower cleaner

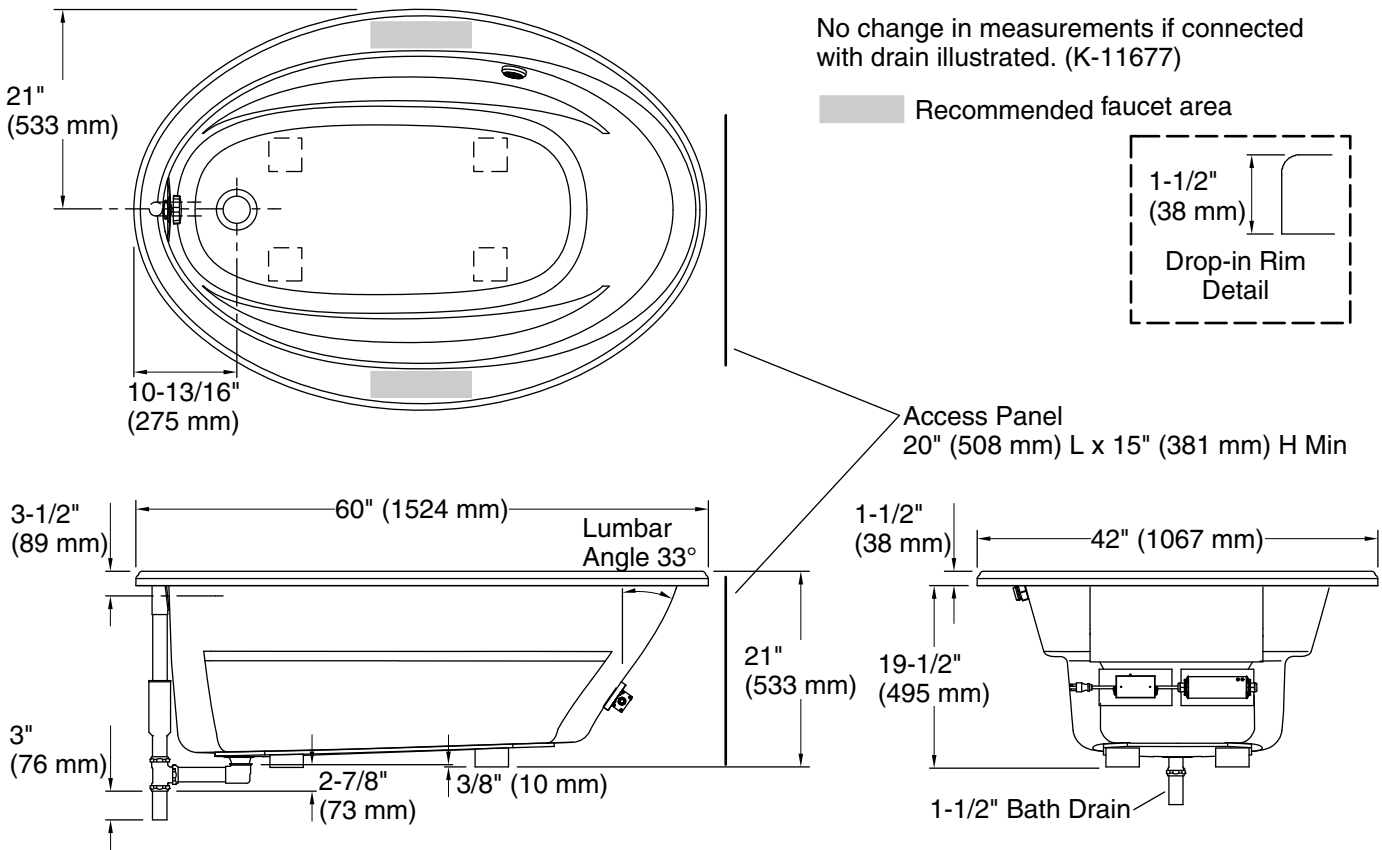


Codes/Standards

- CSA B45.5/IAPMO Z124
- ASTM E162
- ASTM E662
- UL 1795
- CSA C22.2 No. 218.2
- cUL Listed
- UL Listed

**KOHLER® Plastic Baths and
Receptors Lifetime Limited
Warranty KOHLER® Hydrotherapy
Components Five-Year Limited
Warranty**

See website for detailed warranty information.



Required Electrical Service

One circuit required, protected with Class A Ground-Fault Circuit-Interrupter (GFCI). Outside North America, this device may be known as a Residual Current Device (RCD).

Heated Surface: 120 V, 15 A, 60 Hz

Technical Information

All product dimensions are nominal.

Drain location: Reversible
 Basin area, bottom: 43" x 21-9/16" (1092 mm x 548 mm)
 Basin area, top: 53-1/2" x 32-1/8" (1359 mm x 816 mm)
 Weight: 75 lbs (34 kg)
 Minimum floor load: 33 lbs/ft² (161.1 kg/m²)
 Water depth: 15" (381 mm)
 Water capacity: 57 gal (215.8 L)
 Template: Drop-in, 1042556-7, required, included
 Electrical component rating: Heated Surface: 120 V, 0.5 A, 60 Hz, 65 W

Notes

Measure your actual product for rough-in details.

Install this product according to the installation instructions.

The hot water supply should be 70% of the capacity of the bath or greater. Installations will vary.

Kit is required for under-mount installations (sold separately).