

Features

- Single-speed whirlpool offers performance and value, with six fully adjustable jets
- Hydromassage flow and direction can be controlled at each jet
- Built-in heater
- Oval basin creates a spacious bathing experience
- Integral lumbar support and armrests offer extra comfort while bathing
- Multiple pump location options give you more choices for installation and access

Material

- Acrylic

Hydrotherapy

- Whirlpool

Installation

- Reversible drain
- Drop-in or undermount

Recommended Products/Accessories

- K-11677 Bath Drain
- K-1491 Bath/Whirlpool Pillow
- K-577 Under-Mount Installation Kit
- K-1601 Bath/whirlpool footstop, removable
- K-7213 27" Cable Bath Drain
- K-7214 27" Cable Bath Drain
- K-7259 Brass toe tap bath drain
- K-23726 Drain treatment
- K-23732 Tub & shower cleaner
- K-31796 Above-the-floor bath drain kit
- K-31798 Bath drain kit



Codes/Standards

ASME A112.19.7/CSA B45.10
CSA B45.5/IAPMO Z124
UL 1795
CSA C22.2 No. 218.2
IAPMO Certification
cUL Listed
UL Listed



KOHLER® Plastic Baths and Shower Bases Lifetime Limited Warranty **KOHLER® Hydrotherapy Components Five-Year Limited Warranty**

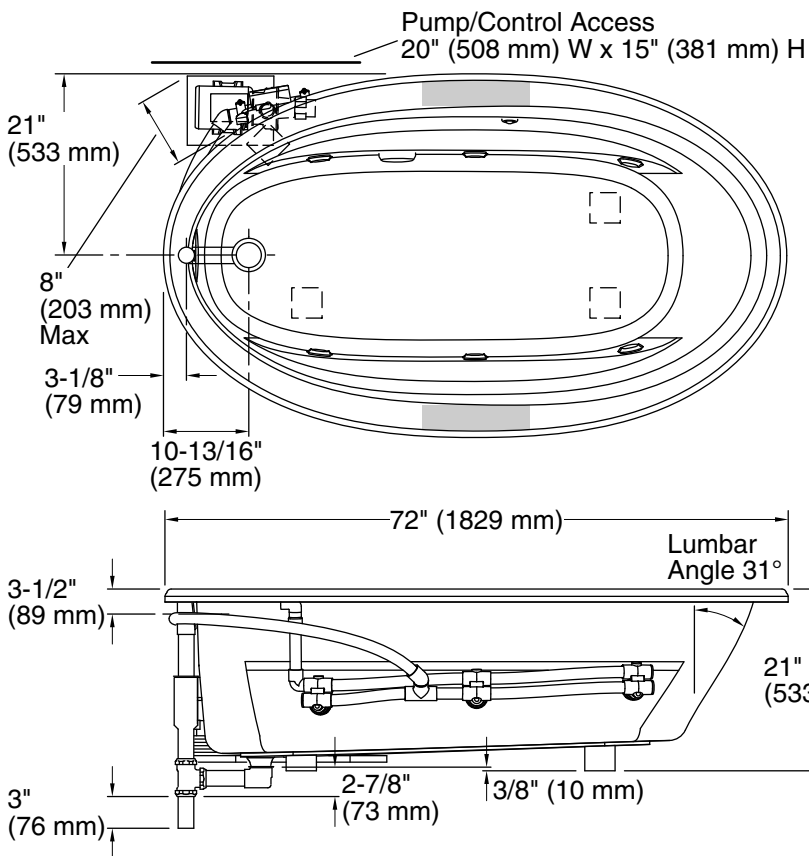
See website for detailed warranty information.

Available Colors/Finishes

Color tiles intended for reference only.

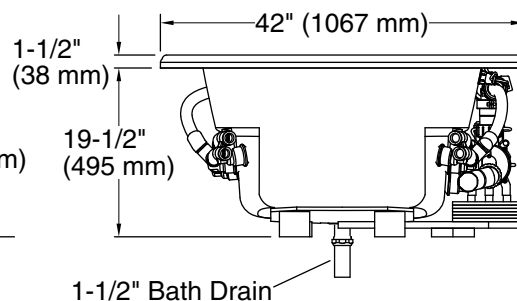
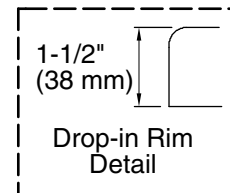
Color	Code	Description
-------	------	-------------

	0	White
	96	Biscuit



No change in measurements if connected with drain illustrated. (K-11677)

Recommended faucet area



Required Electrical Service

Two dedicated circuits required, protected with Class A Ground-Fault Circuit-Interrupter (GFCI). Outside North America, this device may be known as a Residual Current Device (RCD).

Pump: 120 V, 15 A, 60 Hz
Heater: 120 V, 15 A, 60 Hz

Technical Information

All product dimensions are nominal.

Drain location: Reversible
Basin area, bottom: 55-1/4" x 23-1/2" (1403 mm x 597 mm)
Basin area, top: 64-1/2" x 32" (1638 mm x 813 mm)
Weight: 112 lbs (50.8 kg)
Minimum floor load: 36 lbs/ft² (175.8 kg/m²)
Water depth: 15" (381 mm)
Water capacity: 75 gal (283.9 L)
Template: Drop-in, 1042557-7, required, included
Electrical component rating: Pump: 120 V, 7.5 A, 60 Hz
Heater: 120 V, 12.5 A, 60 Hz, 1500 W
Pump speed: Single

Notes

Measure your actual product for rough-in details.

Install this product according to the installation instructions.

The hot water supply should be 70% of the capacity of the bath or greater. Installations will vary.

The suction line extends 1" (25 mm) beyond the edge of the rim. The pump base extends 1-1/8" (29 mm) beyond the edge of the rim. Modify the framing as needed.