



Sunward® | K-1164-S1GW

72" x 42" drop-in BubbleMassage™ air bath with Bask® heated surface

Features

- Bask® heated surface creates spa-like relaxation with soothing warmth on your back, shoulders, and neck
- Three heat settings allow you to customize the surface temperature
- 120 airjets release thousands of bubbles that surround, support, and massage the body
- Variable-speed blower lets you adjust massage intensity to 18 levels
- Oval basin creates a spacious bathing experience
- Integral lumbar support and armrests offer extra comfort while bathing
- Textured bottom surface



DISCONTINUED



1-800-4KOHLER (1-800-456-4537)
Kohler Co. reserves the right to make revisions without notice to product specifications.
For the most current specification sheet, go to www.kohler.com USA or www.kohler.ca Canada.
4-15-2026 6:27 - US-CA

THE BOLD LOOK
OF **KOHLER**®

Codes/Standards

ASME A112.19.7/CSA B45.10
 CSA B45.5/IAPMO Z124
 UL 1795
 UL Listed

Technical Information

All product dimensions are nominal.

Drain Location:	Reversible
Basin Area, Bottom:	55-1/4" x 23-1/2" (1403 mm x 597 mm)
Basin Area, Top:	64-1/2" x 32" (1638 mm x 813 mm)
Water Depth:	15" (381 mm)
Water Capacity:	75 gal (283.9 L)
Minimum Floor Load:	36.8 lbs/ft ²
Weight:	122 lbs (55.3 kg)

Material

- Acrylic

Recommended Products/Accessories

- K-1491 Bath/whirlpool pillow, removable
- K-1601 Bath/whirlpool footstop, removable
- K-23726 Drain treatment
- K-23732 Tub & shower cleaner
- K-11677 Adjustable drain, 20-gauge brass, for 18-1/2" to 20-1/2" baths
- K-577 Undermount kit for select 72" Sunward bath and whirlpool bath models

Required Electrical Service

One dedicated circuit required, protected with Class A Ground-Fault Circuit-Interrupter (GFCI). Outside North America, this device may be known as a Residual Current Device (RCD).

Blower, Heated Surface: 120 V, 15 A, 60 Hz

Electrical Component Ratings

Blower: 120 V, 10 A

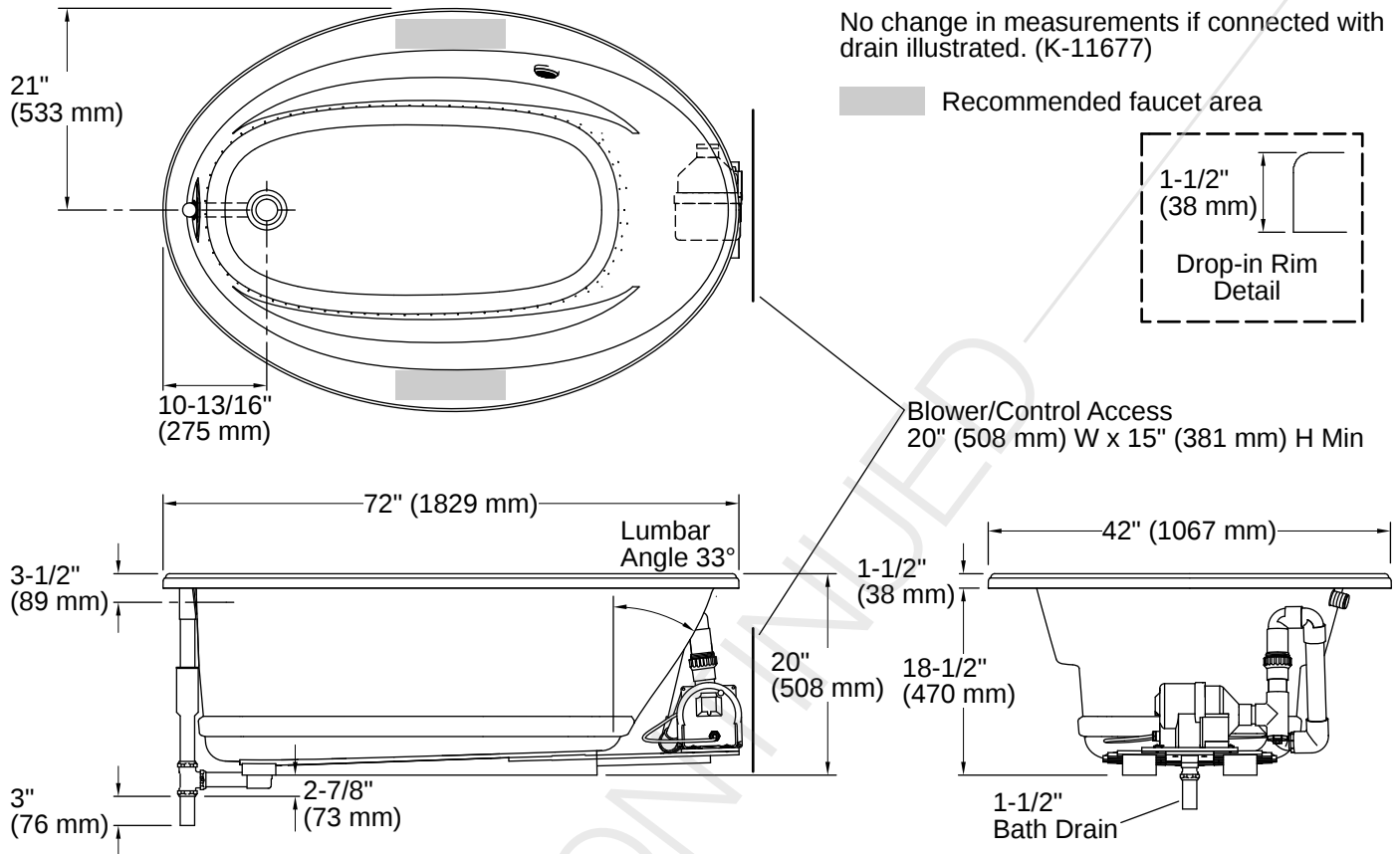
Heated Surface: 120 V, 0.5 A, 60 Hz, 65 W

Warranty

See website for detailed warranty information.

KOHLER® Plastic Baths and Shower Bases Lifetime Limited Warranty | KOHLER® Hydrotherapy Components Five-Year Limited Warranty





Installation

- Reversible drain
- Drop-in

Installation Notes

Install this product according to the installation instructions.

Measure your actual product for rough-in details.
 The hot water supply should be 70% of the capacity of the bath or greater. Installations will vary.
 Remote blower installation kit K-1446 is available for relocating the blower. Provide access for servicing the blower.
 Do not relocate or alter the PVC tee or coiled flexible tubing connected to the blower. Follow the blower relocation instructions exactly.

