

Features

- Chromatherapy lighting allows you to select a preferred color scheme to suit your mood
- Built-in heater
- Remote control
- Overflow channel for deep soak and unique infinity pool effect
- Spacious design accommodates up to two bathers

Material

- Acrylic

Hydrotherapy

- 13 effervescence ports deliver gentle, caressing bubbles
- Chromatherapy

Installation

- Center drain
- Drop-in

Recommended Products/Accessories

- K-1601 Bath/whirlpool footstop, removable
- K-7223 Pop-up Bath Drain
- K-922 Wall- or -ceiling-mount bath filler
- K-923 Wall- or -ceiling-mount bath filler
- K-23726 Drain treatment
- K-23732 Tub & shower cleaner



Codes/Standards

ASME A112.19.7/CSA B45.10
CSA B45.5/IAPMO Z124
ASTM E162
ASTM E662
UL 1795
CSA C22.2 No. 218.2
IAPMO Certification
cUL Listed
UL Listed

KOHLER® Hydrotherapy Components Five-Year Limited Warranty KOHLER® Plastic Baths and Shower Bases Lifetime Limited Warranty

See website for detailed warranty information.

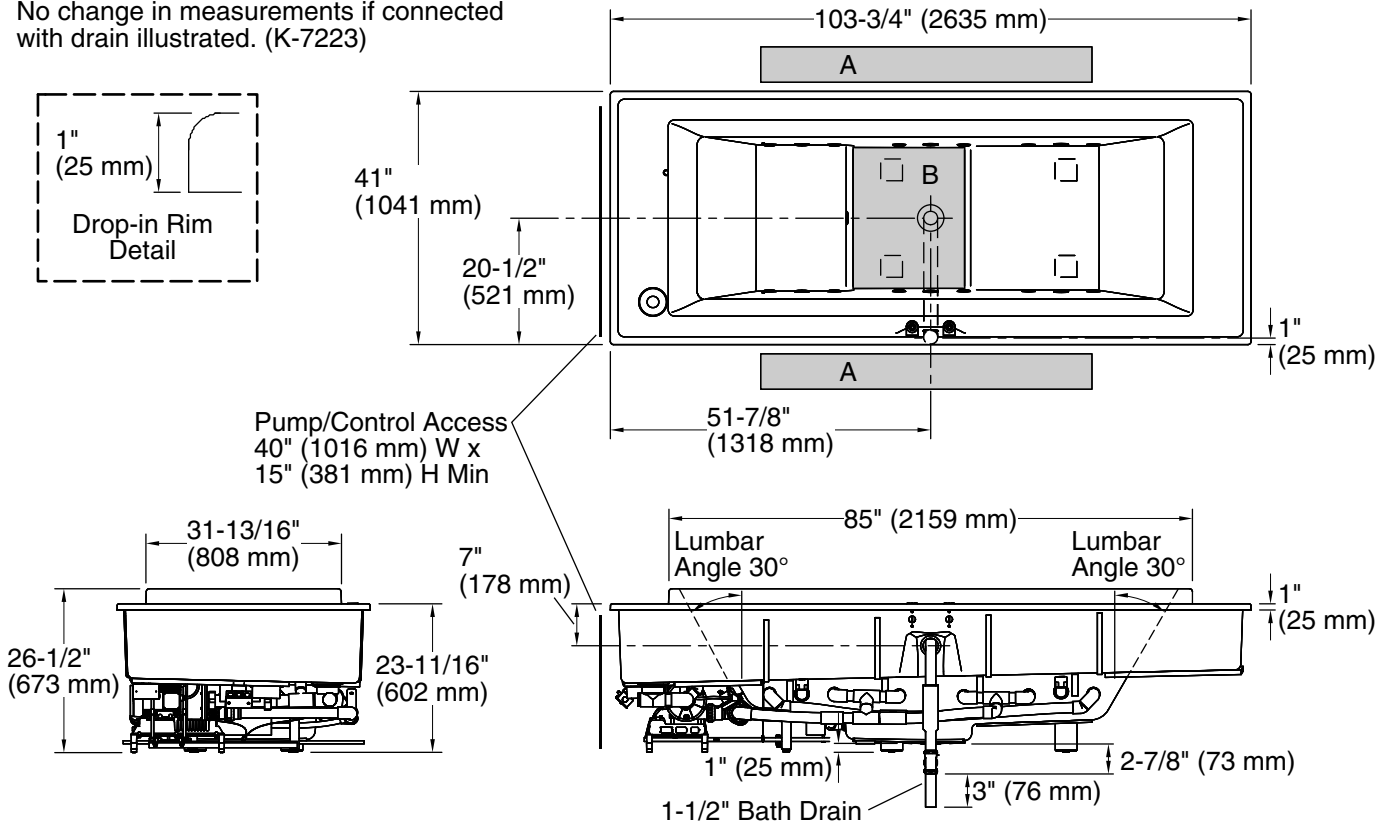
Available Colors/Finishes

Color tiles intended for reference only.

Color Code Description

■ 0 White

No change in measurements if connected with drain illustrated. (K-7223)



Required Electrical Service

Two dedicated circuits required, protected with Class A Ground-Fault Circuit-Interrupter (GFCI). Outside North America, this device may be known as a Residual Current Device (RCD).

Pump: 240 V, 20 A, 50/60 Hz
Heater: 240 V, 20 A, 50/60 Hz

Technical Information

All product dimensions are nominal.

Drain location: Center
Basin area, bottom: 60" x 25-1/2" (1524 mm x 648 mm)
Basin area, top: 84" x 31-1/2" (2134 mm x 800 mm)
Weight: 375 lbs (170.1 kg)
Minimum floor load: 66 lbs/ft² (322.2 kg/m²)
Water depth: 24-5/8" (625 mm)
Water capacity: 185 gal (700.3 L)
Cutout: Drop-in, 102-1/4" x 40" (2597 mm x 1016 mm)
Electrical component rating: Pump: 240 V, 4 A, 50/60 Hz
Heater: 240 V, 15 A, 50/60 Hz, 4000 W

Pump speed: Variable

1-800-4KOHLER (1-800-456-4537)

Kohler Co. reserves the right to make revisions without notice to product specifications.

For the most current Specification Sheet, go to www.kohler.com USA or www.kohler.ca Canada

7-6-2024 02:05 - US

Notes

Measure your actual product for rough-in details.

Install this product according to the installation instructions.

The hot water supply should be 70% of the capacity of the bath or greater. Installations will vary.

Unit must be filled through the bathing well.

Consult local and national codes for minimum air gap requirements when installing a spout on the faucet deck.