

### Features

- Built-in heater
- Remote control
- Overflow channel for deep soak and unique infinity pool effect
- Spacious design accommodates up to two bathers

### Material

- Acrylic

### Hydrotherapy

- 13 effervescence ports deliver gentle, caressing bubbles

### Installation

- Center drain
- Drop-in

### Recommended Products/Accessories

- K-1601 Bath/whirlpool footstop, removable
- K-7223 Pop-up Bath Drain
- K-922 Wall- or -ceiling-mount bath filler
- K-923 Wall- or -ceiling-mount bath filler
- K-23726 Drain treatment
- K-23732 Tub & shower cleaner



### Codes/Standards

- ASME A112.19.7/CSA B45.10
- CSA B45.5/IAPMO Z124
- ASTM E162
- ASTM E662
- UL 1795
- CSA C22.2 No. 218.2
- IAPMO Certification
- cUL Listed
- UL Listed

### KOHLER® Hydrotherapy Components Five-Year Limited Warranty KOHLER® Plastic Baths and Shower Bases Lifetime Limited Warranty

See website for detailed warranty information.

### Available Colors/Finishes

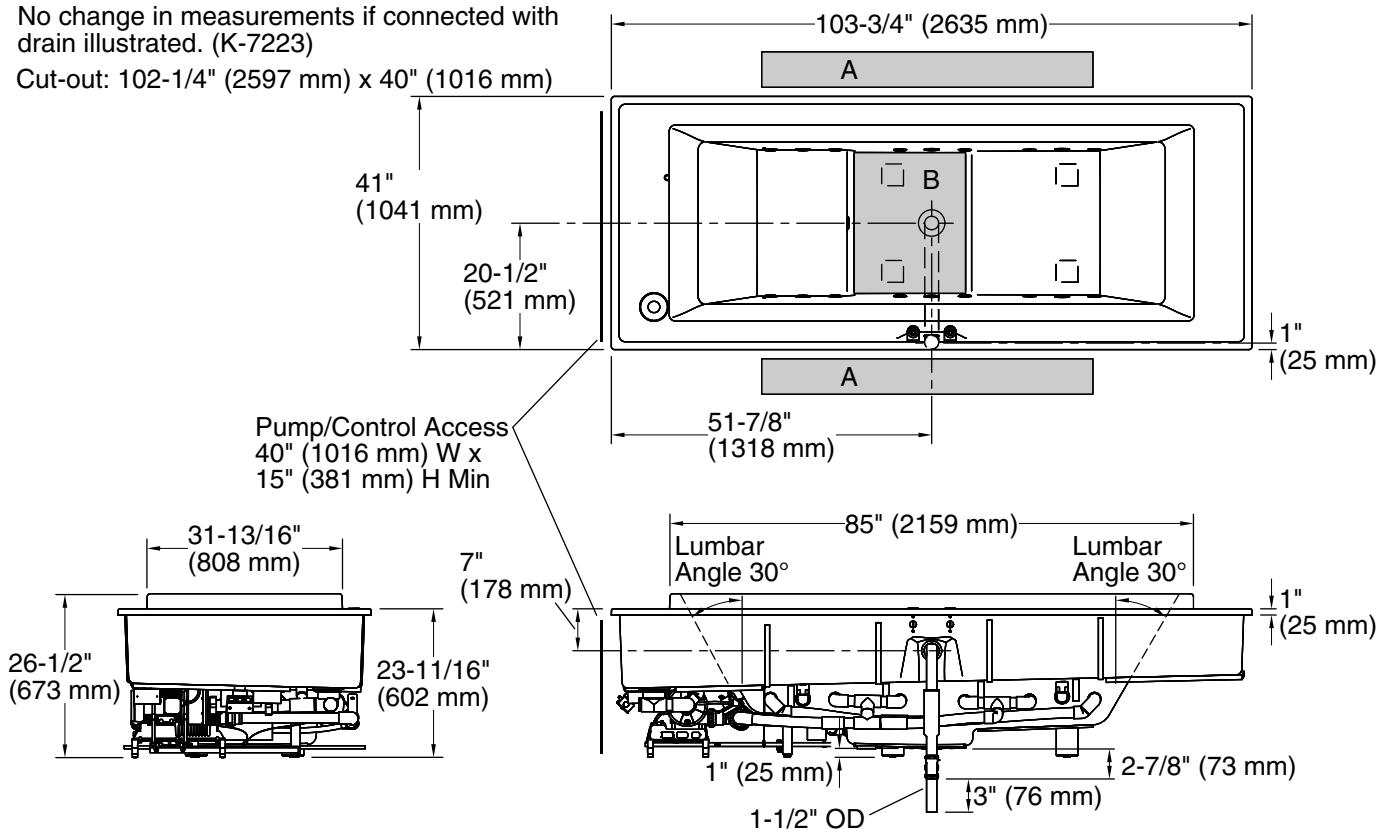
*Color tiles intended for reference only.*

#### Color Code Description

	0	White
---	---	-------

No change in measurements if connected with drain illustrated. (K-7223)

Cut-out: 102-1/4" (2597 mm) x 40" (1016 mm)



### Required Electrical Service

Two dedicated circuits required, protected with Class A Ground-Fault Circuit-Interrupter (GFCI). Outside North America, this device may be known as a Residual Current Device (RCD).

Pump: 240 V, 20 A, 50/60 Hz  
Heater: 240 V, 20 A, 50/60 Hz

### Technical Information

All product dimensions are nominal.

Drain location: Center  
Basin area, bottom: 60" x 25-1/2" (1524 mm x 648 mm)  
Basin area, top: 84" x 31-1/2" (2134 mm x 800 mm)  
Weight: 375 lbs (170.1 kg)  
Minimum floor load: 66 lbs/ft<sup>2</sup> (322.2 kg/m<sup>2</sup>)  
Water depth: 24-5/8" (625 mm)  
Water capacity: 185 gal (700.3 L)  
Cutout: Drop-in, 102-1/4" x 40" (2597 mm x 1016 mm)  
Electrical component rating: Pump: 240 V, 4 A, 50/60 Hz  
Heater: 240 V, 15 A, 50/60 Hz, 4000 W

Pump speed: Variable

1-800-4KOHLER (1-800-456-4537)

Kohler Co. reserves the right to make revisions without notice to product specifications.

For the most current Specification Sheet, go to [www.kohler.com](http://www.kohler.com) USA or [www.kohler.ca](http://www.kohler.ca) Canada

7-4-2024 20:36 - US

### Notes

Measure your actual product for rough-in details.

Install this product according to the installation instructions.

The hot water supply should be 70% of the capacity of the bath or greater. Installations will vary.

Unit must be filled through the bathing well.

Consult local and national codes for minimum air gap requirements when installing a spout on the faucet deck.