

Features

- Eight Proflex® hydromassage jets can be individually adjusted for water flow and direction
- Built-in heater
- Comfort Depth® design offers a convenient 19" step-over height while retaining the same depth as a standard 21" bath
- Spacious design accommodates up to two bathers
- Integral lumbar support
- Coordinates with other products in the Memoirs collection

Material

- Acrylic

Technology

- Whirlpool jets recirculate water, providing targeted relief for the bather

Installation

- Drop-in
- Rear center drain

Required Products/Accessories

K-7265 Brass toe tap bath drain

or

K-T37391 Rotary-turn bath drain trim

K-T37392 Rotary-turn bath drain trim

or

K-37385 rough-in cable drain, PVC, 45" cable

K-78439 45" cable bath drain

or

1015255 Jet trim kit

Recommended Products/Accessories

K-1491 Bath/Whirlpool Pillow

K-1601 Bath/whirlpool footstop, removable



Codes/Standards

ASME A112.19.7/CSA B45.10

CSA B45.5/IAPMO Z124

ASTM E162

ASTM E662

UL 1795

CSA C22.2 No. 218.2

cUL Listed

UL Listed



KOHLER® Plastic Baths and Shower Bases Lifetime Limited Warranty KOHLER® Hydrotherapy Components Five-Year Limited Warranty

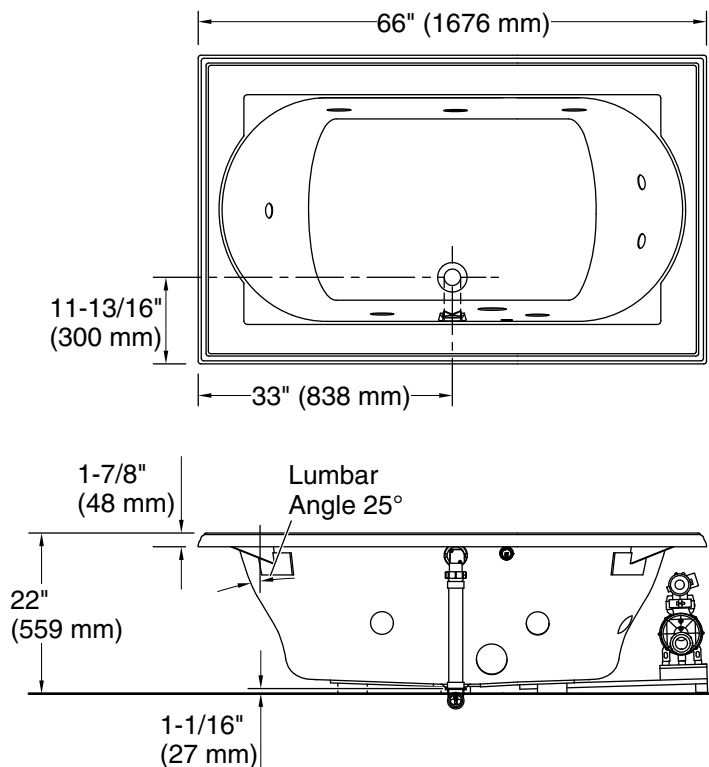
See website for detailed warranty information.

Available Colors/Finishes

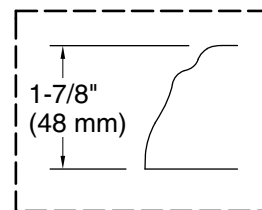
Color tiles intended for reference only.

Color Code Description

	0	White
	96	Biscuit

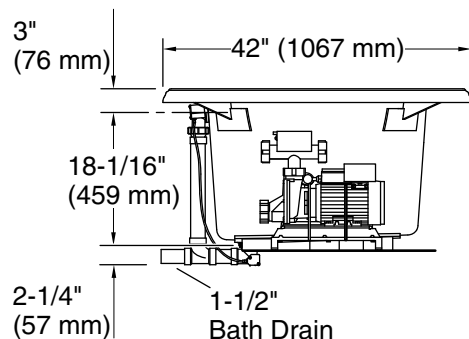


No change in measurements if connected with drain illustrated. (K-7161-AF)



Drop-in Rim Detail

Blower Control Access
20" (508 mm) W x 15" (381 mm) H



Required Electrical Service

Two dedicated circuits required.

Pump: 120 V, 15 A, 60 Hz
Heater: 120 V, 15 A, 60 Hz

Technical Information

All product dimensions are nominal.

Drain location: Center
Basin area, bottom: 42" x 27" (1067 mm x 686 mm)
Basin area, top: 54" x 30" (1372 mm x 762 mm)
Weight: 129 lbs (58.5 kg)
Minimum floor load: 44 lbs/ft² (214.8 kg/m²)
Water depth: 16" (406 mm)
Water capacity: 81 gal (306.6 L)
Electrical component rating: Pump: 120 V, 7 A, 60 Hz
Heater: 120 V, 12 A, 60 Hz
Minimum flat for door: 3-13/16" (97 mm)

Notes

Measure your actual product for rough-in details.

Install this product according to the installation instructions.

The hot water supply should be 70% of the capacity of the bath or greater. Installations will vary.