

Features

- Required for Memoirs® wall-mount touchless faucets
- Insight™ adaptive infrared technology
- 0.5 gpm (1.9 lpm) maximum flow rate
- On demand on and off. Maximum 30 second cycle time
- Ideal for use with KOHLER vessels

Material

- Brass

Technology

- Does not require battery or power cell

Installation

- Requires AC plug-in power supply
- Optional spout-mounting location
- Valve control box includes stop valve therefore it can be connected to waterline directly. Does not require additional stop valve
- 13480-A and 13481-A power supplies are designed for North America outlets. For international outlets please use 13480 and 13481

Required Products/Accessories

[K-13480](#) AC Single Supply

or

[K-13480-A](#) AC Single Supply

or

[K-13481](#) Multi-Outlet Power Supply

or

[K-13481-A](#) Multi-Outlet Power Supply



ADA

CSA B651

OBC

Codes/Standards

ASME A112.18.1/CSA B125.1

NSF/ANSI/CAN 372

ADA

ICC/ANSI A117.1

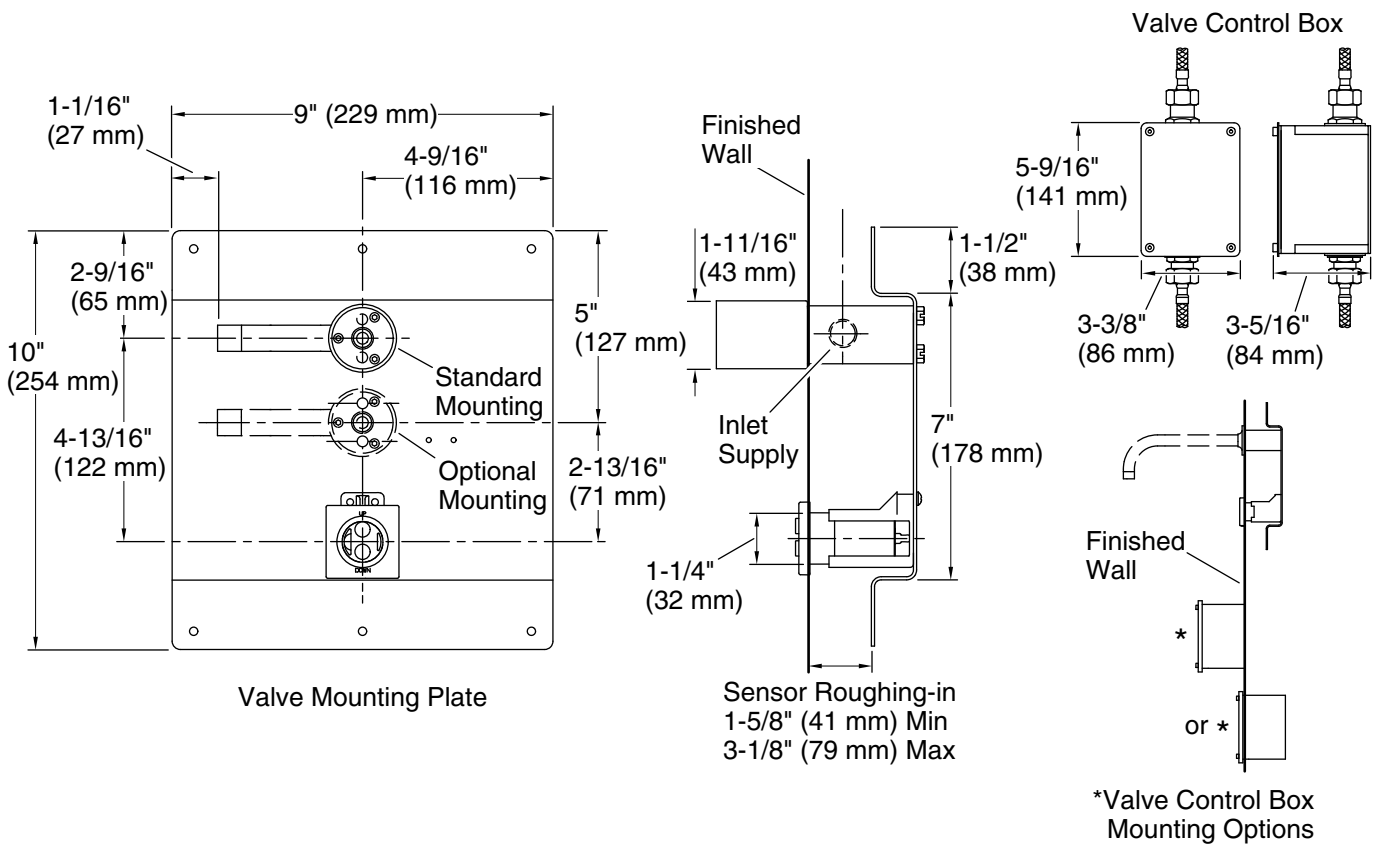
CSA B651

OBC

IAPMO Certification

KOHLER® One-Year Limited Warranty

See website for detailed warranty information.



Technical Information

All product dimensions are nominal.

Power source: Hardwire - AC, not included

Faucet:

Flow rate: 0.5 gal/min (1.9 l/min)

Handshower:

Rated maximum flow: 0 gal/min (0 l/min)

Notes

Install this product according to the installation instructions.

Reference the installation instructions for specific framing information.

Requires an AC power supply (not included).

For use with faucet trim K-T11838.

Valve control box can be installed in the wall or on the wall.

ADA, OBC, CSA B651 compliant when installed to the specific requirements of these regulations.