



Mariposa®

66" x 35-7/8" drop-in whirlpool bath
K-1224-CB

Features

- Single-speed whirlpool offers performance and value, with 5 fully adjustable jets
- Hydromassage flow and direction can be controlled at each jet
- Hourglass shape adds style and elegance to your bathroom
- Textured bottom surface
- Multiple pump location options give you more choices for installation and access

Material

- Acrylic

Hydrotherapy

- Whirlpool

Installation

- Reversible drain
- Drop-in

Required Products/Accessories

K-T37391 Rotary-turn bath drain trim

K-T37392 Rotary-turn bath drain trim

or

K-37383 Rough-in cable bath drain, PVC, 30" cable with tubing

K-78438 30" cable bath drain

or

K-37385 rough-in cable drain, PVC, 45" cable

K-78439 45" cable bath drain

Recommended Products/Accessories

K-9695 5-Jet Trim Kit

K-1601 Bath/whirlpool footstop, removable

K-7213 27" Cable Bath Drain

K-7214 27" Cable Bath Drain

K-23726 Drain treatment

K-23732 Tub & shower cleaner

K-31798 Bath drain kit



Codes/Standards

ASME A112.19.7/CSA B45.10

CSA B45.5/IAPMO Z124

ASTM E162

ASTM E662

UL 1795

IAPMO Certification

UL Listed

KOHLER® Plastic Baths and Shower Bases Lifetime Limited Warranty KOHLER® Hydrotherapy Components Five-Year Limited Warranty

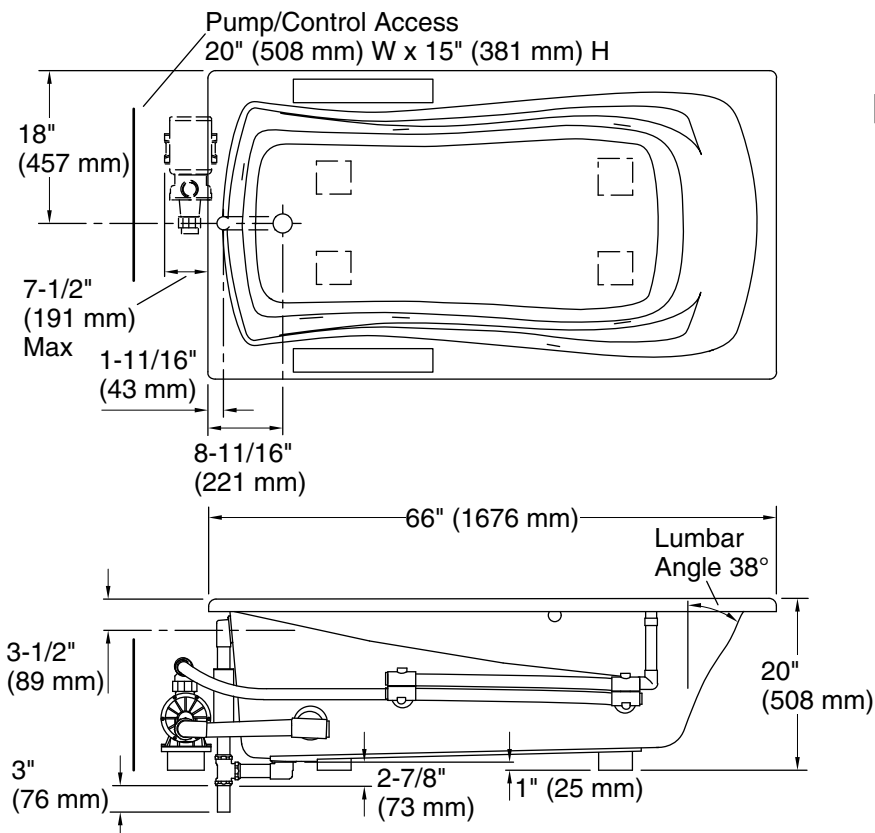
See website for detailed warranty information.

Available Colors/Finishes

Color tiles intended for reference only.

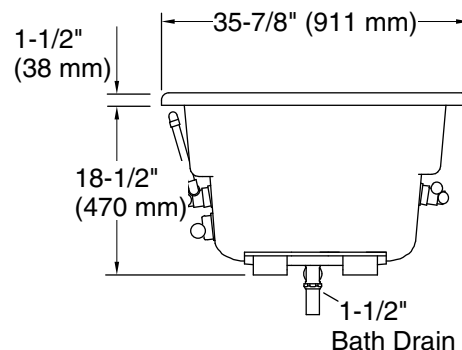
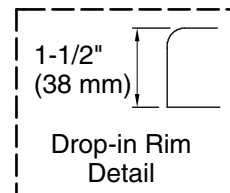
Color Code Description

■ 0 White



No change in measurements if connected with drain illustrated. (K-7161-AF)

□ Recommended Faucet Location



Required Electrical Service

One dedicated circuit required, protected with Class A Ground-Fault Circuit-Interrupter (GFCI). Outside North America, this device may be known as a Residual Current Device (RCD).

Pump: 120 V, 15 A, 60 Hz

Technical Information

All product dimensions are nominal.

Drain location: Reversible

Basin area, bottom: 48" x 24" (1219 mm x 610 mm)

Basin area, top: 59" x 30" (1499 mm x 762 mm)

Weight: 110 lbs (49.9 kg)

Minimum floor load: 42 lbs/ft² (205.1 kg/m²)

Water depth: 14" (356 mm)

Water capacity: 67 gal (253.6 L)

Cutout: Drop-in, 64" x 34" (1626 mm x 864 mm)

Electrical component Pump: 120 V, 7.5 A, 60 Hz rating:

Pump speed: Single

Minimum flat for door: 1-3/4" (45 mm)

Notes

Measure your actual product for rough-in details.

Install this product according to the installation instructions.

The hot water supply should be 70% of the capacity of the bath or greater. Installations will vary.

Pump must be relocated to custom position at the time of installation. Provide adequate clearance.

If installing a rim-mount faucet, make sure there is no interference above or below the deck before drilling any holes.