



# Mariposa®

66" x 36" alcove Heated BubbleMassage™ air bath with Bask® heated surface and right-hand drain  
**K-1224-GHRW**

## Features

- Bask® heated surface creates spa-like relaxation with soothing warmth on your back, shoulders, and neck
- Three heat settings allow you to customize the surface temperature
- 120 airjets release thousands of heated bubbles that surround and support the body in a warm massage
- Variable-speed blower lets you adjust massage intensity to 18 levels
- Heated BubbleMassage™ includes 60-minute automatic shutoff timer
- Two separate electronic keypad controls for Heated BubbleMassage™ and Bask®
- Hourglass shape adds style and elegance to your bathroom
- Integral flange helps prevent water from seeping behind wall and simplifies alcove installation
- Textured bottom surface
- Automatic and manual purge cycles remove residual water from air channels after use
- Bask® heated surface creates spa-like relaxation with soothing warmth on your back, shoulders, and neck



## Material

- Acrylic

## Technology

- Heated BubbleMassage™ technology warms and humidifies air before it enters the bath

## Installation

- Right drain

## Required Products/Accessories

- K-T37391 Rotary-turn bath drain trim
- K-T37392 Rotary-turn bath drain trim

or

- K-37383 Rough-in cable bath drain, PVC, 30" cable with tubing
- K-78438 30" cable bath drain

## Recommended Products/Accessories

- K-1446 Remote Installation Kit
- K-1491 Bath/Whirlpool Pillow
- K-1601 Bath/whirlpool footstop, removable
- K-23726 Drain treatment
- K-23732 Tub & shower cleaner
- K-31796 Above-the-floor bath drain kit
- K-31798 Bath drain kit

## Codes/Standards

ASME A112.19.7/CSA B45.10  
 CSA B45.5/IAPMO Z124  
 ASTM E162  
 ASTM E662  
 UL 1795  
 IAPMO Certification  
 cUL Listed  
 UL Listed

**KOHLER® Plastic Baths and Shower Bases Lifetime Limited Warranty**  
**KOHLER® Hydrotherapy Components Five-Year Limited Warranty**

See website for detailed warranty information.

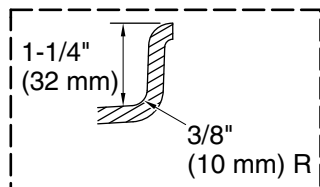
## Available Colors/Finishes

*Color tiles intended for reference only.*

### Color Code Description

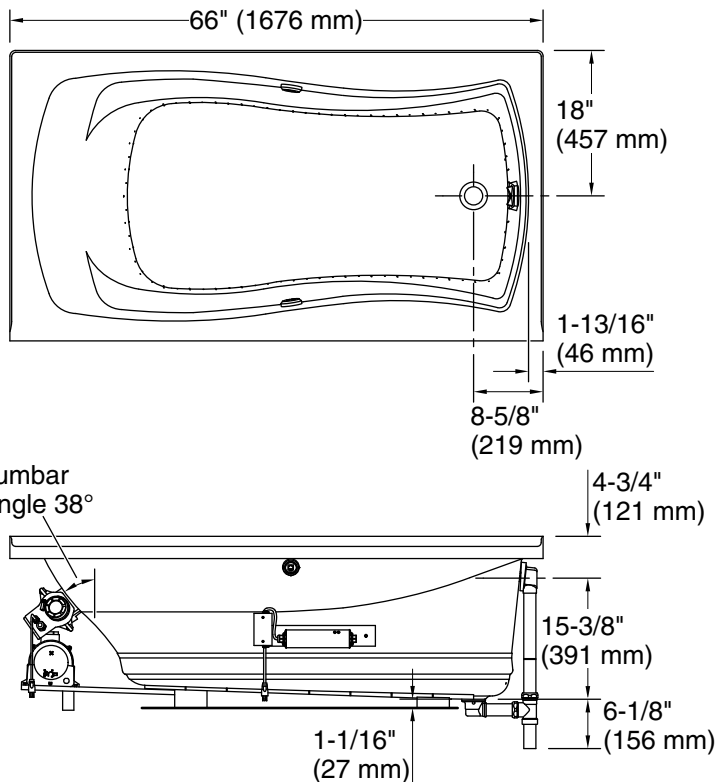
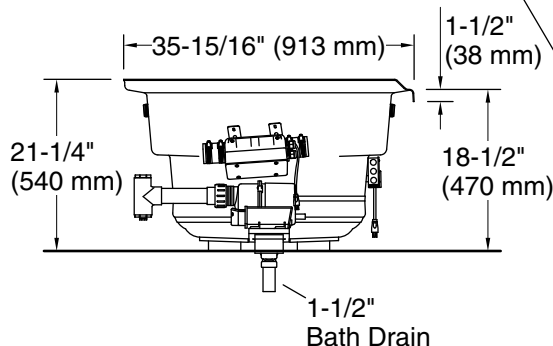
	0	White
--	---	-------

No change in measurements if connected with drain illustrated. (K-7166AF)



**Integral Flange Detail**

Blower Motor Access  
30" (762 mm) W x 15" (381 mm) H Min



### Required Electrical Service

Two dedicated circuits required, protected with Class A Ground-Fault Circuit-Interrupter (GFCI). Outside North America, this device may be known as a Residual Current Device (RCD).

Blower, Heated Surface:	120 V, 15 A, 60 Hz
Air bath:	120 V, 15 A, 60 Hz

### Technical Information

All product dimensions are nominal.

Drain location:	Right
Basin area, bottom:	47-1/8" x 19-11/16" (1196 mm x 500 mm)
Basin area, top:	61-7/16" x 26" (1561 mm x 660 mm)
Weight:	112 lbs (50.8 kg)
Minimum floor load:	56 lbs/ft <sup>2</sup> (273.4 kg/m <sup>2</sup> )
Water depth:	13-11/16" (347 mm)
Water capacity:	67 gal (253.6 L)
Electrical component rating:	Blower: 120 V, 10 A, 60 Hz Heated Surface: 120 V, 0.5 A, 60 Hz, 65 W

### Notes

- Measure your actual product for rough-in details.
- Install this product according to the installation instructions.
- The hot water supply should be 70% of the capacity of the bath or greater. Installations will vary.
- Remote blower installation kit K-1446 is available for relocating the blower. Provide access for servicing the blower.
- Do not relocate or alter the PVC tee or coiled flexible tubing connected to the blower. Follow the blower relocation instructions exactly.