

### Features

- Single-speed whirlpool offers performance and value, with 5 fully adjustable jets
- Hydromassage flow and direction can be controlled at each jet
- Hourglass shape adds style and elegance to your bathroom
- Integral apron
- Integral flange helps prevent water from seeping behind wall and simplifies alcove installation
- Textured bottom surface

### Material

- Acrylic

### Hydrotherapy

- Whirlpool

### Installation

- Left drain
- Alcove

### Required Products/Accessories

K-T37391 Rotary-turn bath drain trim  
K-T37392 Rotary-turn bath drain trim

or

K-37383 Rough-in cable bath drain, PVC, 30" cable with tubing  
K-78438 30" cable bath drain

### Recommended Products/Accessories

K-7213 27" Cable Bath Drain  
K-7214 27" Cable Bath Drain  
K-23726 Drain treatment  
K-23732 Tub & shower cleaner  
K-31798 Bath drain kit



### Codes/Standards

ASME A112.19.7/CSA B45.10  
CSA B45.5/IAPMO Z124  
ASTM E162  
ASTM E662  
UL 1795  
IAPMO Certification  
UL Listed

### KOHLER® Plastic Baths and Shower Bases Lifetime Limited Warranty KOHLER® Hydrotherapy Components Five-Year Limited Warranty

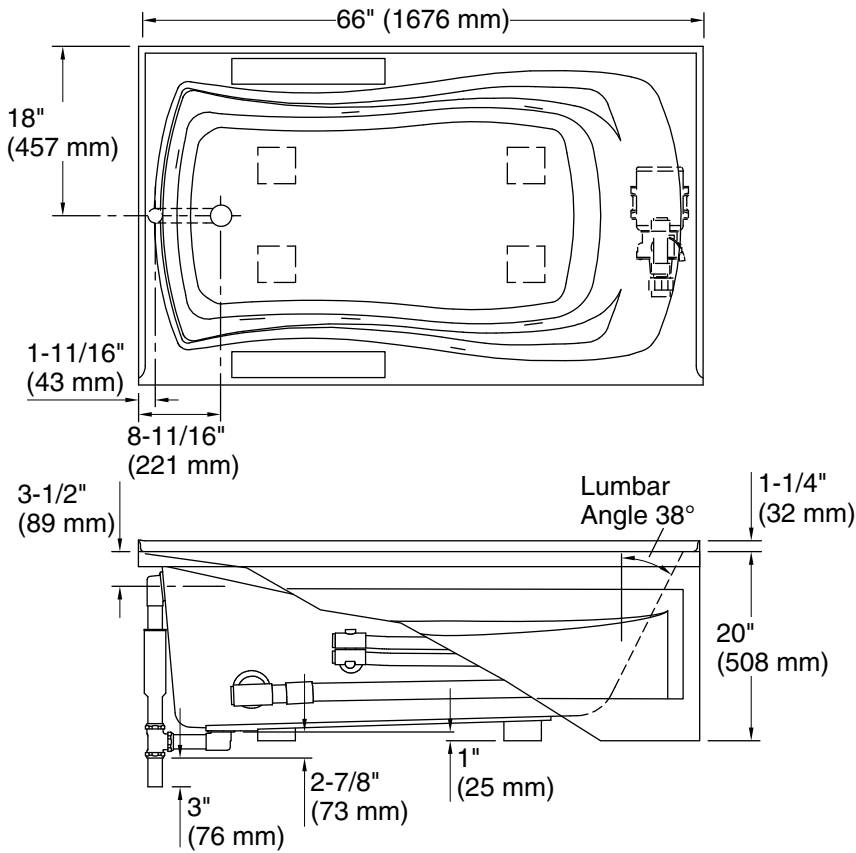
See website for detailed warranty information.

### Available Colors/Finishes

*Color tiles intended for reference only.*

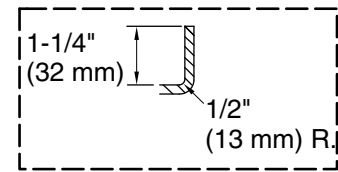
#### Color Code Description

	0	White
---	---	-------

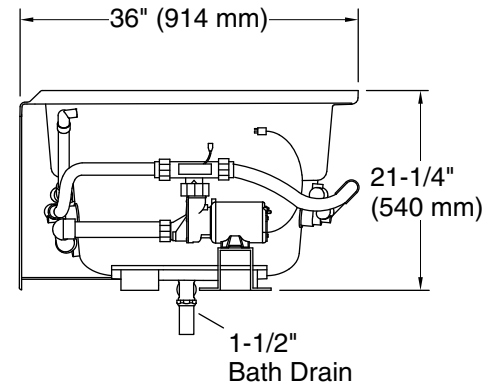


No change in measurements if connected with drain illustrated. (K-7161-AF)

□ Recommended Faucet Location



Integral Flange Detail



### Required Electrical Service

One dedicated circuit required, protected with Class A Ground-Fault Circuit-Interrupter (GFCI). Outside North America, this device may be known as a Residual Current Device (RCD).

Pump: 120 V, 15 A, 60 Hz

### Technical Information

All product dimensions are nominal.

Drain location:	Left
Basin area, bottom:	48" x 24" (1219 mm x 610 mm)
Basin area, top:	59" x 30" (1499 mm x 762 mm)
Weight:	110 lbs (49.9 kg)
Minimum floor load:	42 lbs/ft <sup>2</sup> (205.1 kg/m <sup>2</sup> )
Water depth:	14" (356 mm)
Water capacity:	67 gal (253.6 L)
Electrical component rating:	Pump: 120 V, 7.5 A, 60 Hz
Pump speed:	Single

### Notes

Measure your actual product for rough-in details.

Install this product according to the installation instructions.

The hot water supply should be 70% of the capacity of the bath or greater. Installations will vary.

If installing a rim-mount faucet, make sure there is no interference above or below the deck before drilling any holes.