

### Features

- 66"L x 35-7/8"W x 20"H
- Removable apron for front pump access option
- Five adjustable ProFlex® whirlpool jets for maximum bather comfort
- Innovative technology enables this pump to provide a strong, steady level of hydromassage
- Includes integral flange to simplify installation and prevent the possibility of water damage behind the wall
- Textured bottom surface

### Material

- Acrylic

### Hydrotherapy

- Whirlpool

### Installation

- Alcove

### Required Products/Accessories

K-T37391 Rotary-turn bath drain trim

K-T37392 Rotary-turn bath drain trim

or

K-37383 Rough-in cable bath drain, PVC, 30" cable with tubing

K-78438 30" cable bath drain

or

K-37385 rough-in cable drain, PVC, 45" cable

K-78439 45" cable bath drain

### Recommended Products/Accessories

K-1601 Bath/whirlpool footstop, removable

K-7213 27" Cable Bath Drain

K-7214 27" Cable Bath Drain

K-23726 Drain treatment

K-23732 Tub & shower cleaner

K-31798 Bath drain kit



### Codes/Standards

ASME A112.19.7/CSA B45.10

CSA B45.5/IAPMO Z124

ASTM E162

ASTM E662

UL 1795

IAPMO Certification

UL Listed


### KOHLER® Plastic Baths and Shower Bases Lifetime Limited Warranty KOHLER® Hydrotherapy Components Five-Year Limited Warranty

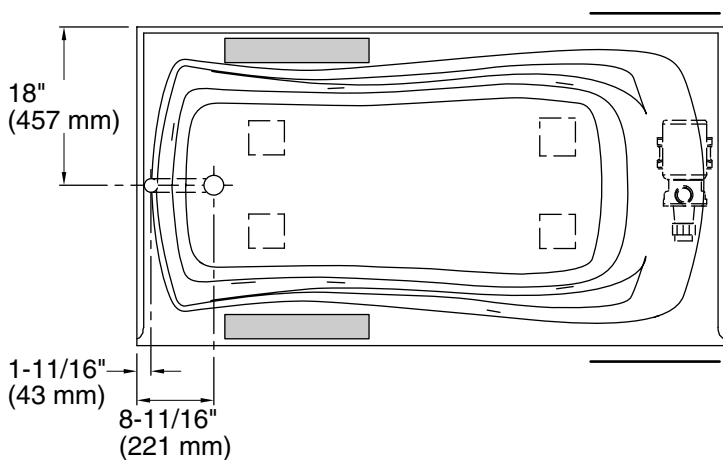
See website for detailed warranty information.

### Available Colors/Finishes

*Color tiles intended for reference only.*

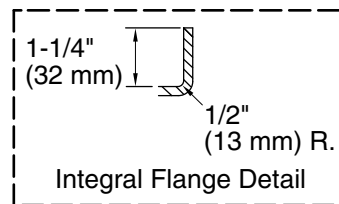
#### Color Code Description

	0	White
---	---	-------

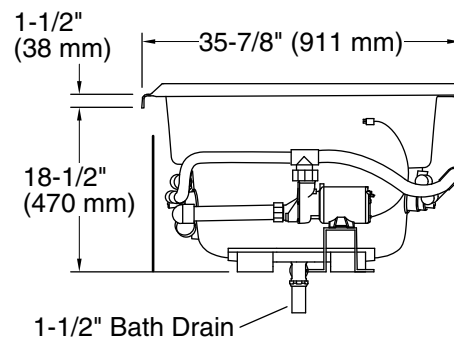
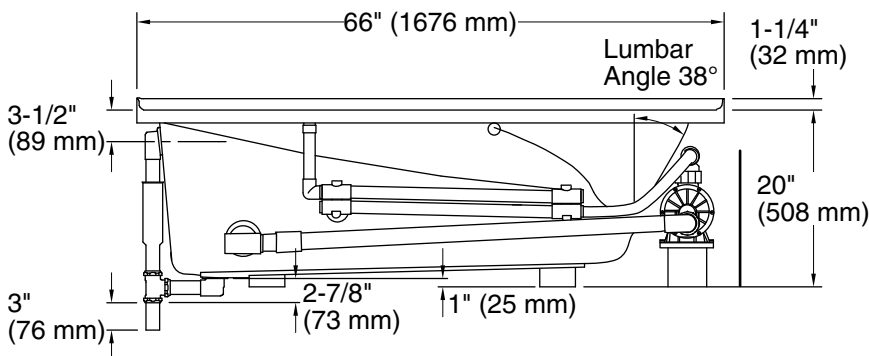


No change in measurements if connected with drain illustrated. (K-7161-AF)

Recommended Faucet Area



Pump/Control Access  
(If Apron Is Not Used)  
20" (508 mm) W x 15" (381 mm) H



### Required Electrical Service

One dedicated circuit required, protected with Class A Ground-Fault Circuit-Interrupter (GFCI). Outside North America, this device may be known as a Residual Current Device (RCD).

Pump: 120 V, 15 A, 60 Hz

### Technical Information

All product dimensions are nominal.

Drain location: Left  
 Basin area, bottom: 48" x 24" (1219 mm x 610 mm)  
 Basin area, top: 59" x 30" (1499 mm x 762 mm)  
 Weight: 110 lbs (49.9 kg)  
 Minimum floor load: 48 lbs/ft<sup>2</sup> (234.4 kg/m<sup>2</sup>)  
 Water depth: 14" (356 mm)  
 Water capacity: 67 gal (253.6 L)  
 Electrical component Pump: 120 V, 7.5 A, 60 Hz rating:  
 Pump speed: Single  
 Minimum flat for door: 1-15/16" (49 mm)

### Notes

Measure your actual product for rough-in details.

Install this product according to the installation instructions.

The hot water supply should be 70% of the capacity of the bath or greater. Installations will vary.

The apron (if used) must be installed before the finished floor and wall materials are installed.