

Features

- Bask® heated surface creates spa-like relaxation with soothing warmth on your back, shoulders, and neck
- Three heat settings allow you to customize the surface temperature
- Single-speed whirlpool offers performance and value, with 5 fully adjustable jets
- Hydromassage flow and direction can be controlled at each jet
- Hourglass shape adds style and elegance to your bathroom
- Integral flange helps prevent water from seeping behind wall and simplifies alcove installation
- Textured bottom surface

Material

- Acrylic

Hydrotherapy

- Whirlpool

Installation

- Right drain
- Alcove

Required Products/Accessories

K-T37391 Rotary-turn bath drain trim
K-T37392 Rotary-turn bath drain trim

or

K-37383 Rough-in cable bath drain, PVC, 30" cable with tubing
K-78438 30" cable bath drain

or

K-37385 rough-in cable drain, PVC, 45" cable
K-78439 45" cable bath drain

Recommended Products/Accessories

K-9695 5-Jet Trim Kit
K-23726 Drain treatment
K-23732 Tub & shower cleaner
K-31798 Bath drain kit



Codes/Standards

ASME A112.19.7/CSA B45.10
CSA B45.5/IAPMO Z124
ASTM E162
ASTM E662
UL 1795
IAPMO Certification
UL Listed


KOHLER® Plastic Baths and Shower Bases Lifetime Limited Warranty KOHLER® Hydrotherapy Components Five-Year Limited Warranty

See website for detailed warranty information.

Available Colors/Finishes

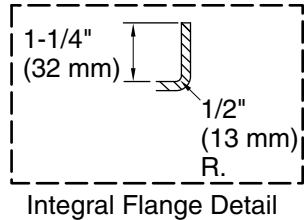
Color tiles intended for reference only.

Color Code Description

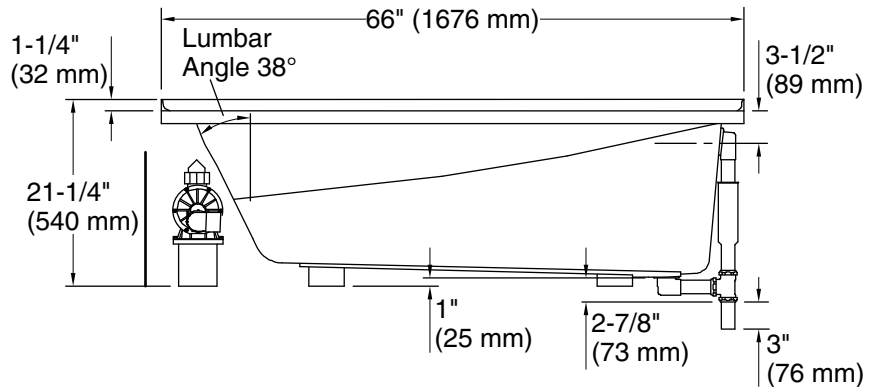
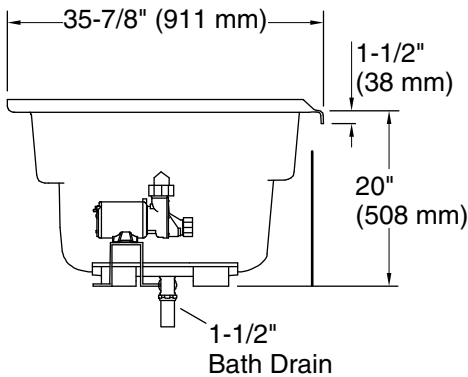
	0	White
---	---	-------

No change in measurements if connected with drain illustrated. (K-7161-AF)

□ Recommended Faucet Location



Pump/Control Access
(if apron is not used)
30" (762 mm) W x 15" (381 mm) H



Required Electrical Service

One dedicated circuit required, protected with Class A Ground-Fault Circuit-Interrupter (GFCI). Outside North America, this device may be known as a Residual Current Device (RCD).

Pump, Heated 120 V, 15 A, 60 Hz
Surface:

Technical Information

All product dimensions are nominal.

Drain location: Right
Basin area, bottom: 48" x 24" (1219 mm x 610 mm)
Basin area, top: 59" x 30" (1499 mm x 762 mm)
Weight: 116 lbs (52.6 kg)
Minimum floor load: 48 lbs/ft² (234.4 kg/m²)
Water depth: 14" (356 mm)
Water capacity: 67 gal (253.6 L)
Electrical component rating: Pump: 120 V, 7.5 A, 60 Hz
Heated Surface: 120 V, 1.1 A, 60 Hz, 65 W
Pump speed: Single
Minimum flat for: 1-15/16" (49 mm)

Notes

Measure your actual product for rough-in details.

Install this product according to the installation instructions.

The hot water supply should be 70% of the capacity of the bath or greater. Installations will vary.

If installing a rim-mount faucet, make sure there is no interference above or below the deck before drilling any holes.