



Mariposa®

60" x 36" alcove whirlpool, left drain
K-1239-LA

Features

- 60"L x 36"W x 20"H
- Extra width enhances comfort
- Five adjustable whirlpool jets for maximum bather comfort
- Innovative technology enables this pump to provide a strong, steady level of hydromassage
- Integral apron for easy alcove installation and pump access
- Includes integral flange to simplify installation and prevent the possibility of water damage behind the wall
- Textured bottom surface

Material

- Acrylic

Hydrotherapy

- Whirlpool

Installation

- Alcove

Required Products/Accessories

K-T37391 Rotary-turn bath drain trim

K-T37392 Rotary-turn bath drain trim

or

K-37383 Rough-in cable bath drain, PVC, 30" cable with tubing

K-78438 30" cable bath drain

or

K-37385 rough-in cable drain, PVC, 45" cable

K-78439 45" cable bath drain

Recommended Products/Accessories

K-1491 Bath/Whirlpool Pillow

K-1601 Bath/whirlpool footstop, removable

K-7213 27" Cable Bath Drain

K-7214 27" Cable Bath Drain

K-23726 Drain treatment

K-23732 Tub & shower cleaner

K-7265 Brass toe tap bath drain

K-7259 Brass toe tap bath drain

K-31798 Bath drain kit



Codes/Standards

ASME A112.19.7/CSA B45.10

CSA B45.5/IAPMO Z124

ASTM E162

ASTM E662

UL 1795

IAPMO Certification

UL Listed

KOHLER® Plastic Baths and Shower Bases Lifetime Limited Warranty KOHLER® Hydrotherapy Components Five-Year Limited Warranty

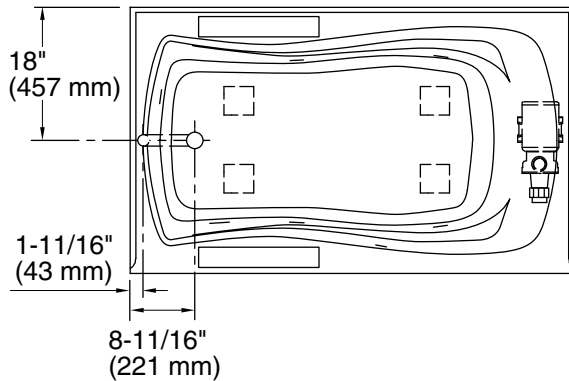
See website for detailed warranty information.

Available Colors/Finishes

Color tiles intended for reference only.

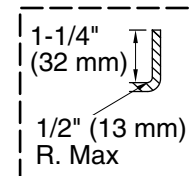
Color Code Description

	0	White
---	---	-------

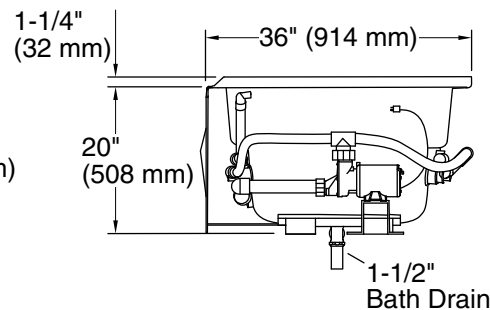
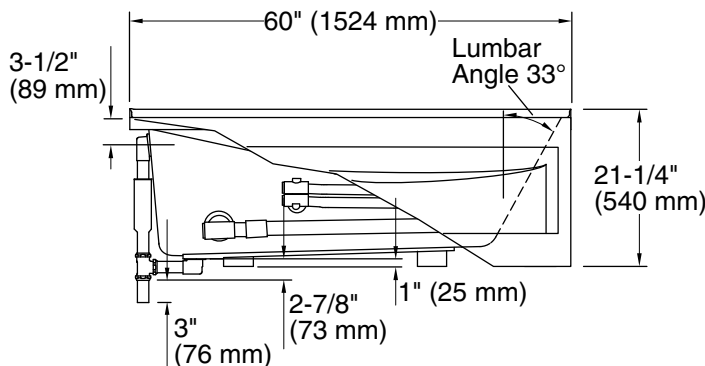


No change in measurements if connected with drain illustrated. (K-7161-AF)

□ Recommended Faucet Location



Integral Flange Detail



Required Electrical Service

One dedicated circuit required, protected with Class A Ground-Fault Circuit-Interrupter (GFCI). Outside North America, this device may be known as a Residual Current Device (RCD).

Pump: 120 V, 15 A, 60 Hz

Technical Information

All product dimensions are nominal.

Drain location: Left
 Basin area, bottom: 46" x 24" (1168 mm x 610 mm)
 Basin area, top: 54" x 27" (1372 mm x 686 mm)
 Weight: 105 lbs (47.6 kg)
 Minimum floor load: 44 lbs/ft² (214.8 kg/m²)
 Water depth: 14" (356 mm)
 Water capacity: 63 gal (238.5 L)
 Electrical component Pump: 120 V, 7.5 A, 60 Hz
 rating:
 Pump speed: Single

Notes

Measure your actual product for rough-in details.

Install this product according to the installation instructions.

The hot water supply should be 70% of the capacity of the bath or greater. Installations will vary.

If installing a rim-mount faucet, make sure there is no interference above or below the deck before drilling any holes.