



Mariposa®

72" x 36" alcove Heated BubbleMassage™ air bath,
left drain
K-1257-GHLA

Features

- 120 airjets release thousands of heated bubbles that surround and support the body in a warm massage
- Variable-speed blower lets you adjust massage intensity to 18 levels
- Heated BubbleMassage™ includes 60-minute automatic shutoff timer
- Keypad control
- Hourglass shape adds style and elegance to your bathroom
- Integral apron
- Integral flange helps prevent water from seeping behind wall and simplifies alcove installation
- Textured bottom surface
- Automatic and manual purge cycles remove residual water from air channels after use

Material

- Acrylic

Technology

- Heated BubbleMassage™ technology warms and humidifies air before it enters the bath

Installation

- Left drain

Required Products/Accessories

K-T37391 Rotary-turn bath drain trim
K-T37392 Rotary-turn bath drain trim

or

K-37383 Rough-in cable bath drain, PVC, 30" cable with tubing
K-78438 30" cable bath drain

Recommended Products/Accessories

K-1446 Remote Installation Kit
K-1491 Bath/Whirlpool Pillow
K-1601 Bath/whirlpool footstop, removable
K-23726 Drain treatment
K-23732 Tub & shower cleaner
K-7265 Brass toe tap bath drain
K-31798 Bath drain kit



Codes/Standards

ASME A112.19.7/CSA B45.10
CSA B45.5/IAPMO Z124
ASTM E162
ASTM E662
UL 1795
IAPMO Certification
cUL Listed
UL Listed

KOHLER® Plastic Baths and Shower Bases Lifetime Limited Warranty KOHLER® Hydrotherapy Components Five-Year Limited Warranty

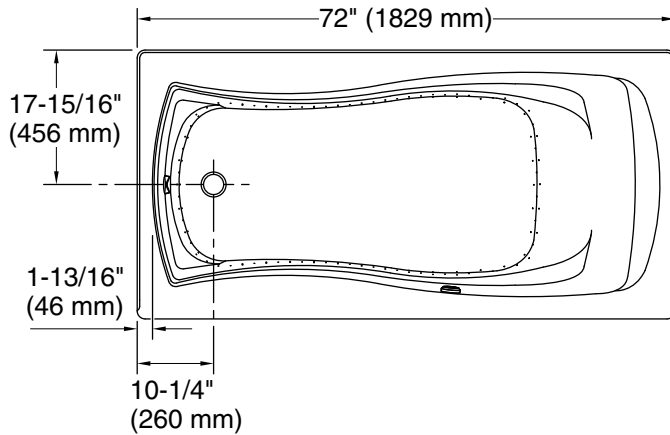
See website for detailed warranty information.

Available Colors/Finishes

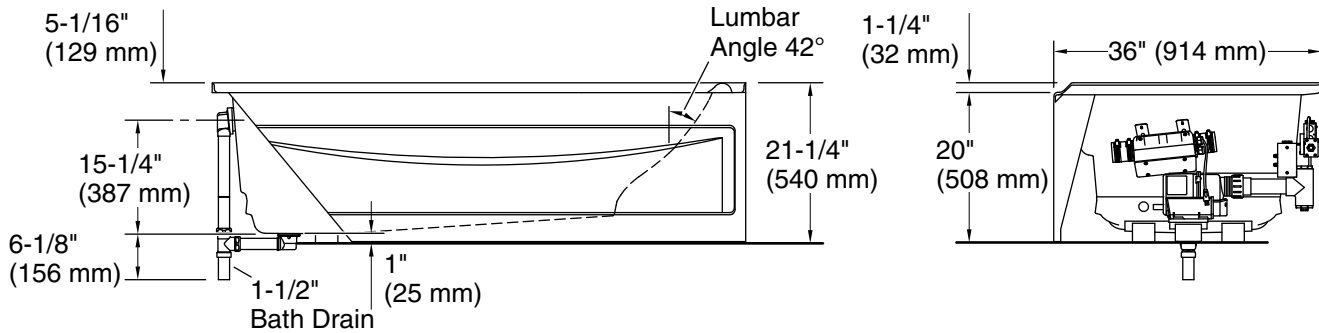
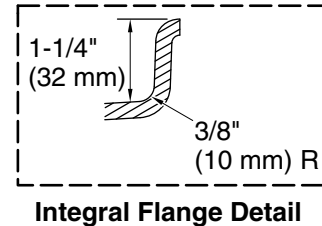
Color tiles intended for reference only.

Color Code Description

	0	White
---	---	-------



No change in measurements if connected with drain illustrated. (K-7272)



Required Electrical Service

Two dedicated circuits required, protected with Class A Ground-Fault Circuit-Interrupter (GFCI). Outside North America, this device may be known as a Residual Current Device (RCD).

Blower: 120 V, 15 A, 60 Hz
Air bath: 120 V, 15 A, 60 Hz

Technical Information

All product dimensions are nominal.

Drain location: Left
Basin area, bottom: 47-7/16" x 20-5/8" (1205 mm x 525 mm)
Basin area, top: 64-15/16" x 25-1/16" (1649 mm x 636 mm)
Weight: 115 lbs (52.2 kg)
Minimum floor load: 41 lbs/ft² (200.2 kg/m²)
Water depth: 13-3/8" (340 mm)
Water capacity: 72 gal (272.5 L)
Electrical component rating: Blower: 120 V, 10 A, 60 Hz
Air bath: 120 V, 5 A, 60 Hz
Minimum flat for door: 1-3/4" (45 mm)

Notes

Measure your actual product for rough-in details.

Install this product according to the installation instructions.

The hot water supply should be 70% of the capacity of the bath or greater. Installations will vary.

Remote blower installation kit K-1446 is available for relocating the blower. Provide access for servicing the blower.

Do not relocate or alter the PVC tee or coiled flexible tubing connected to the blower. Follow the blower relocation instructions exactly.