

### Features

- 72"L x 36"W x 20"H
- Six adjustable ProFlex® whirlpool jets for maximum bather comfort
- Innovative technology enables this pump to provide a strong, steady level of hydromassage
- Includes integral flange to simplify installation and prevent the possibility of water damage behind the wall
- Textured bottom surface

### Material

- Acrylic

### Hydrotherapy

- Whirlpool

### Installation

- Alcove

### Required Products/Accessories

K-T37391 Rotary-turn bath drain trim  
K-T37392 Rotary-turn bath drain trim

or

K-37383 Rough-in cable bath drain, PVC, 30" cable with tubing  
K-78438 30" cable bath drain

### Recommended Products/Accessories

K-1491 Bath/Whirlpool Pillow  
K-1601 Bath/whirlpool footstop, removable  
K-7213 27" Cable Bath Drain  
K-7214 27" Cable Bath Drain  
K-7259 Brass toe tap bath drain  
K-23726 Drain treatment  
K-23732 Tub & shower cleaner  
K-7265 Brass toe tap bath drain  
K-31798 Bath drain kit



### Codes/Standards

ASME A112.19.7/CSA B45.10  
CSA B45.5/IAPMO Z124  
ASTM E162  
ASTM E662  
UL 1795  
IAPMO Certification  
UL Listed

### KOHLER® Plastic Baths and Shower Bases Lifetime Limited Warranty KOHLER® Hydrotherapy Components Five-Year Limited Warranty

See website for detailed warranty information.

### Available Colors/Finishes

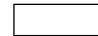
*Color tiles intended for reference only.*

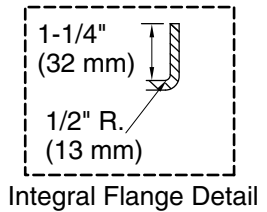
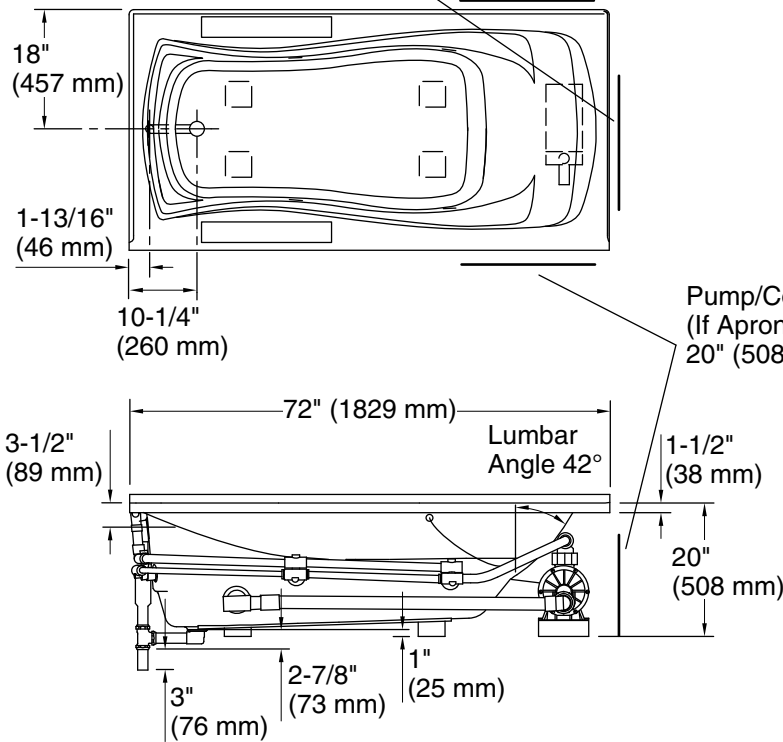
#### Color Code Description

■ 0 White

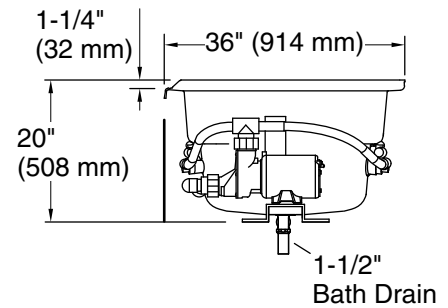
Pump/Control Access (If Apron Is Not Used):  
20" (508 mm) W x 15" (381 mm) H

No change in measurements if connected with  
drain illustrated. (K-11677)

 Recommended Faucet Location



Pump/Control Access  
(If Apron Is Not Used):  
20" (508 mm) W x 15" (381 mm) H



### Required Electrical Service

One dedicated circuit required, protected with Class A Ground-Fault Circuit-Interrupter (GFCI). Outside North America, this device may be known as a Residual Current Device (RCD).

Pump: 120 V, 15 A, 60 Hz

### Technical Information

All product dimensions are nominal.

Drain location: Left  
 Basin area, bottom: 50" x 24" (1270 mm x 610 mm)  
 Basin area, top: 65" x 27" (1651 mm x 686 mm)  
 Weight: 110 lbs (49.9 kg)  
 Minimum floor load: 41 lbs/ft<sup>2</sup> (200.2 kg/m<sup>2</sup>)  
 Water depth: 14" (356 mm)  
 Water capacity: 72 gal (272.5 L)  
 Electrical component Pump: 120 V, 7.5 A, 60 Hz  
 rating:  
 Pump speed: Single

### Notes

Measure your actual product for rough-in details.

Install this product according to the installation instructions.

The hot water supply should be 70% of the capacity of the bath or greater. Installations will vary.

If installing a rim-mount faucet, make sure there is no interference above or below the deck before drilling any holes.