



Mariposa®
72" x 36" alcove bath, left drain
K-1259-LA

Features

- 72"L x 36"W x 20"H
- Designed for quick and easy installation
- Includes integral apron and flange to simplify installation
- Textured bottom surface

Material

- Acrylic

Installation

- Alcove

Required Products/Accessories

K-T37391 Rotary-turn bath drain trim

K-T37392 Rotary-turn bath drain trim

or

K-37383 Rough-in cable bath drain, PVC, 30" cable with tubing

K-78438 30" cable bath drain

Recommended Products/Accessories

K-1601 Bath/whirlpool footstop, removable

K-7213 27" Cable Bath Drain

K-7214 27" Cable Bath Drain

K-7259 Brass toe tap bath drain

K-23726 Drain treatment

K-23732 Tub & shower cleaner

K-7265 Brass toe tap bath drain

K-31798 Bath drain kit



Codes/Standards

CSA B45.5/IAPMO Z124

ASTM E162

ASTM E662

IAPMO Certification

KOHLER® Plastic Baths and Receptors Lifetime Limited Warranty

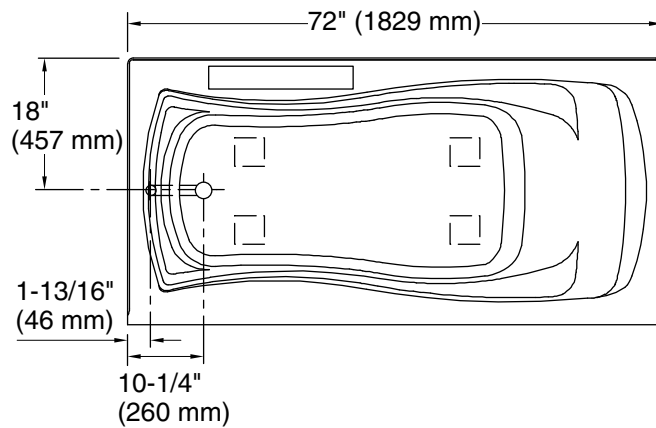
See website for detailed warranty information.

Available Colors/Finishes

Color tiles intended for reference only.

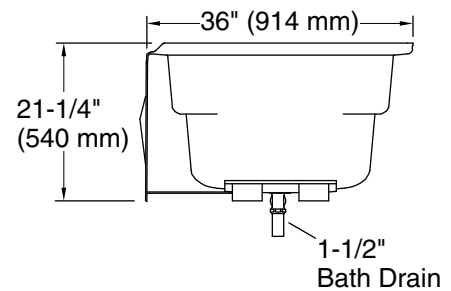
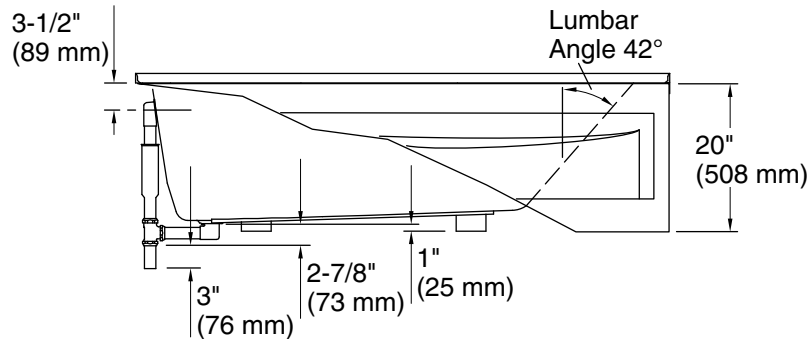
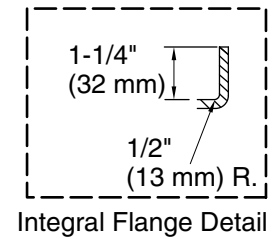
Color Code Description

■ 0 White



No change in measurements if connected with drain illustrated. (K-7166-AF)

 Recommended Faucet Location



Technical Information

All product dimensions are nominal.

Drain location:	Left
Basin area, bottom:	50" x 24" (1270 mm x 610 mm)
Basin area, top:	65" x 27" (1651 mm x 686 mm)
Weight:	77 lbs (34.9 kg)
Minimum floor load:	39 lbs/ft ² (190.4 kg/m ²)
Water depth:	14" (356 mm)
Water capacity:	72 gal (272.5 L)
Minimum flat for door:	2-1/8" (54 mm)

Notes

Measure your actual product for rough-in details.

Install this product according to the installation instructions.

The hot water supply should be 70% of the capacity of the bath or greater. Installations will vary.

If installing a rim-mount faucet, make sure there is no interference above or below the deck before drilling any holes.