



Mariposa®
72" x 36" alcove bath with Bask® heated surface, left
drain
K-1259-LW

Features

- Bask® heated surface creates spa-like relaxation with soothing warmth on your back, shoulders, and neck
- Three heat settings allow you to customize the surface temperature
- Hourglass shape adds style and elegance to your bathroom
- Generous length provides a spacious bathing area
- Integral flange helps prevent water from seeping behind wall and simplifies alcove installation
- Textured bottom surface

Material

- Acrylic

Installation

- Left drain
- Alcove

Required Products/Accessories

K-T37391 Rotary-turn bath drain trim
K-T37392 Rotary-turn bath drain trim

or

K-37383 Rough-in cable bath drain, PVC, 30" cable with tubing
K-78438 30" cable bath drain

Recommended Products/Accessories

K-1491 Bath/Whirlpool Pillow
K-23726 Drain treatment
K-23732 Tub & shower cleaner
K-7265 Brass toe tap bath drain
K-7213 27" Cable Bath Drain
K-31796 Above-the-floor bath drain kit
K-31798 Bath drain kit



Codes/Standards

CSA B45.5/IAPMO Z124
ASTM E162
ASTM E662
UL 1795
IAPMO Certification
cUL Listed
UL Listed

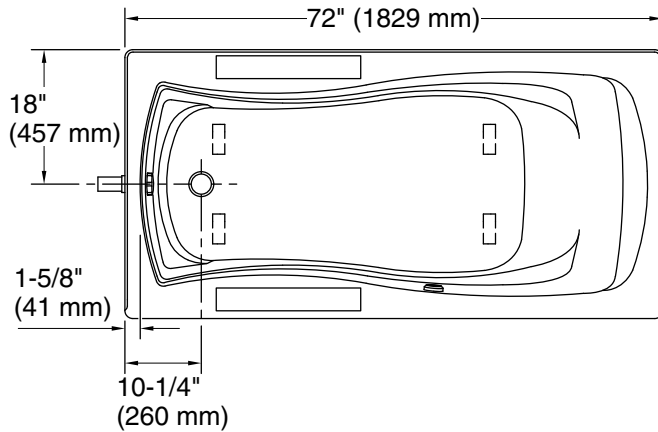
KOHLER® Plastic Baths and Receptors Lifetime Limited Warranty KOHLER® Hydrotherapy Components Five-Year Limited Warranty

See website for detailed warranty information.



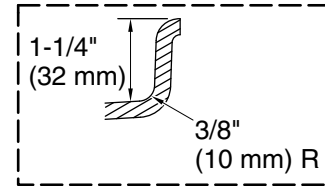
Mariposa®

72" x 36" alcove bath with Bask® heated surface, left drain
K-1259-LW

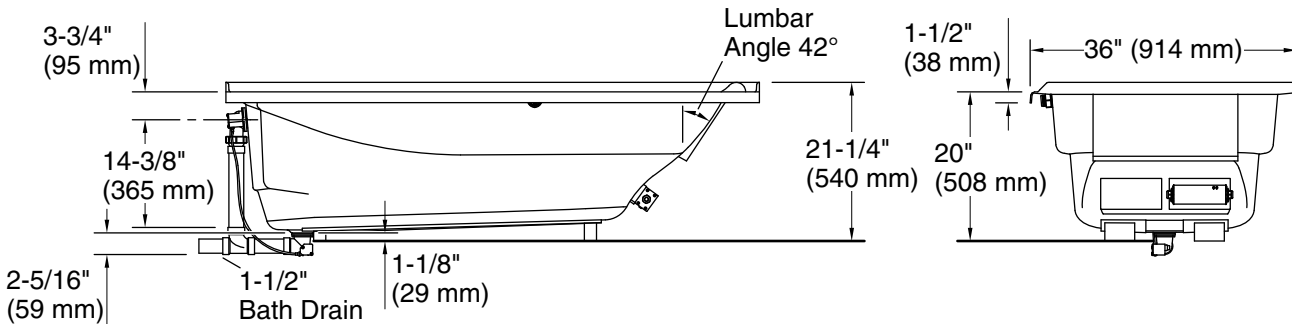


No change in measurements if connected with drain illustrated. (K-7166-AF)

Recommended Faucet Location



Integral Flange Detail



Required Electrical Service

One circuit required, protected with Class A Ground-Fault Circuit-Interrupter (GFCI). Outside North America, this device may be known as a Residual Current Device (RCD).

Heated Surface: 120 V, 15 A

Technical Information

All product dimensions are nominal.

- Drain location: Left
- Basin area, bottom: 50" x 24" (1270 mm x 610 mm)
- Basin area, top: 65" x 27" (1651 mm x 686 mm)
- Weight: 77 lbs (34.9 kg)
- Minimum floor load: 39.1 lbs/ft² (190.9 kg/m²)
- Water depth: 14" (356 mm)
- Water capacity: 72 gal (272.5 L)
- Electrical component rating: Heated Surface: 120 V, 0.5 A, 60 Hz, 65 W
- Minimum flat for door: 2-1/8" (54 mm)

Notes

Measure your actual product for rough-in details.

Install this product according to the installation instructions.

The hot water supply should be 70% of the capacity of the bath or greater. Installations will vary.

If installing a rim-mount faucet, make sure there is no interference above or below the deck before drilling any holes.