



**Mariposa®**  
72" x 36" alcove bath with Bask® heated surface, right  
drain  
**K-1259-RAW**

### Features

- Bask® heated surface creates spa-like relaxation with soothing warmth on your back, shoulders, and neck
- Three heat settings allow you to customize the surface temperature
- Hourglass shape adds style and elegance to your bathroom
- Generous length provides a spacious bathing area
- Integral apron
- Integral flange helps prevent water from seeping behind wall and simplifies alcove installation
- Textured bottom surface

### Material

- Acrylic

### Installation

- Right drain
- Alcove

### Required Products/Accessories

- K-T37391 Rotary-turn bath drain trim
- K-T37392 Rotary-turn bath drain trim

or

- K-37383 Rough-in cable bath drain, PVC, 30" cable with tubing
- K-78438 30" cable bath drain

### Recommended Products/Accessories

- K-23726 Drain treatment
- K-23732 Tub & shower cleaner
- K-7265 Brass toe tap bath drain
- K-7213 27" Cable Bath Drain
- K-31798 Bath drain kit




### Codes/Standards

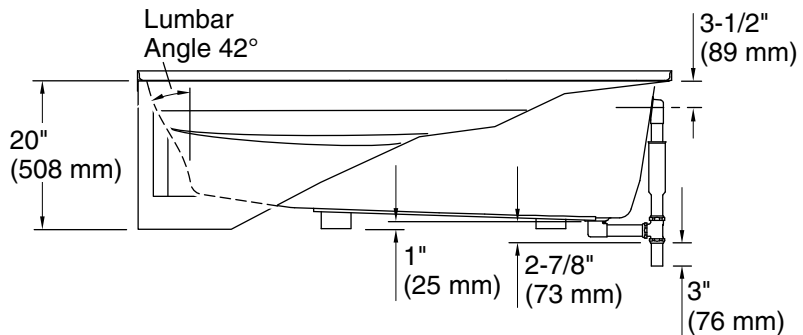
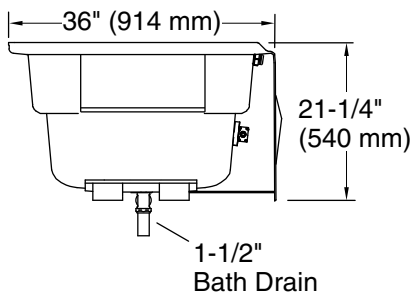
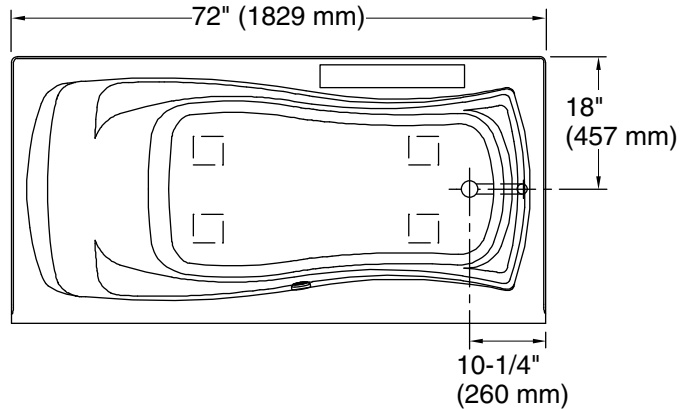
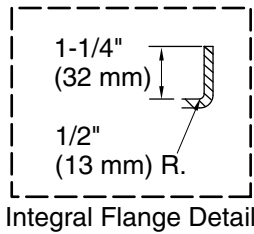
CSA B45.5/IAPMO Z124  
ASTM E162  
ASTM E662  
UL 1795  
IAPMO Certification  
cUL Listed  
UL Listed

**KOHLER® Plastic Baths and  
Receptors Lifetime Limited  
Warranty KOHLER® Hydrotherapy  
Components Five-Year Limited  
Warranty**

See website for detailed warranty information.

No change in measurements if connected with drain illustrated. (K-7166-AF)

 Recommended Faucet Location



## Required Electrical Service

One circuit required, protected with Class A Ground-Fault Circuit-Interrupter (GFCI). Outside North America, this device may be known as a Residual Current Device (RCD).

Heated Surface: 120 V, 15 A

## Technical Information

All product dimensions are nominal.

Drain location:	Right
Basin area, bottom:	50" x 24" (1270 mm x 610 mm)
Basin area, top:	65" x 27" (1651 mm x 686 mm)
Weight:	77 lbs (34.9 kg)
Minimum floor load:	39 lbs/ft <sup>2</sup> (190.4 kg/m <sup>2</sup> )
Water depth:	14" (356 mm)
Water capacity:	72 gal (272.5 L)
Electrical component rating:	Heated Surface: 120 V, 0.5 A, 60 Hz, 65 W
Minimum flat for door:	2-1/8" (54 mm)

## Notes

Measure your actual product for rough-in details.

Install this product according to the installation instructions.

The hot water supply should be 70% of the capacity of the bath or greater. Installations will vary.

If installing a rim-mount faucet, make sure there is no interference above or below the deck before drilling any holes.