



**Mariposa®**  
72" x 36" alcove bath with Bask® heated surface, right  
drain  
**K-1259-RW**

### Features

- Bask® heated surface creates spa-like relaxation with soothing warmth on your back, shoulders, and neck
- Three heat settings allow you to customize the surface temperature
- Hourglass shape adds style and elegance to your bathroom
- Generous length provides a spacious bathing area
- Integral flange helps prevent water from seeping behind wall and simplifies alcove installation
- Textured bottom surface

### Material

- Acrylic

### Installation

- Right drain
- Alcove

### Required Products/Accessories

K-T37391 Rotary-turn bath drain trim  
K-T37392 Rotary-turn bath drain trim

or

K-37383 Rough-in cable bath drain, PVC, 30" cable with tubing  
K-78438 30" cable bath drain

### Recommended Products/Accessories

K-1491 Bath/Whirlpool Pillow  
K-23726 Drain treatment  
K-23732 Tub & shower cleaner  
K-7265 Brass toe tap bath drain  
K-7213 27" Cable Bath Drain  
K-31798 Bath drain kit



### Codes/Standards

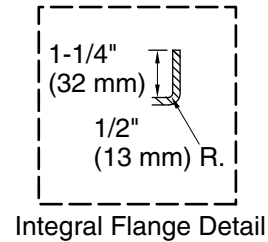
CSA B45.5/IAPMO Z124  
ASTM E162  
ASTM E662  
UL 1795  
IAPMO Certification  
cUL Listed  
UL Listed

**KOHLER® Plastic Baths and  
Receptors Lifetime Limited  
Warranty KOHLER® Hydrotherapy  
Components Five-Year Limited  
Warranty**

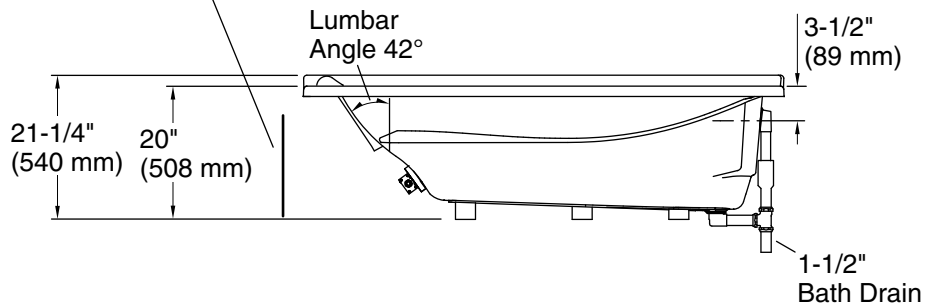
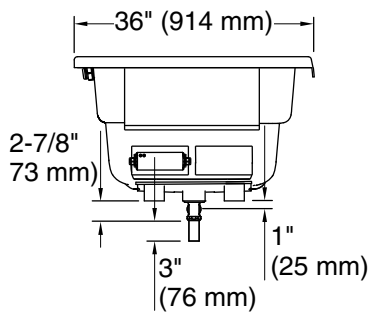
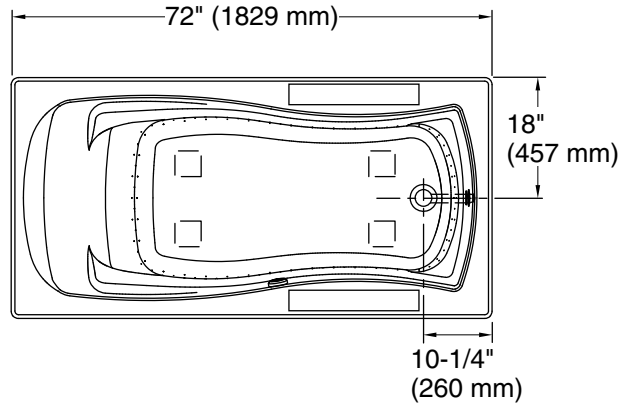
See website for detailed warranty information.

No change in measurements if connected  
 with drain illustrated. (K-7166-AF)

□ Recommended Faucet Location



Access Panel  
 20" (508 mm) W x  
 15" (381 mm) H Min



### Required Electrical Service

One circuit required, protected with Class A Ground-Fault  
 Circuit-Interrupter (GFCI). Outside North America, this device  
 may be known as a Residual Current Device (RCD).

Heated Surface: 120 V, 15 A

### Technical Information

All product dimensions are nominal.

Drain location:	Right
Basin area, bottom:	50" x 24" (1270 mm x 610 mm)
Basin area, top:	65" x 27" (1651 mm x 686 mm)
Weight:	77 lbs (34.9 kg)
Minimum floor load:	39.1 lbs/ft <sup>2</sup> (190.9 kg/m <sup>2</sup> )
Water depth:	14" (356 mm)
Water capacity:	72 gal (272.5 L)
Electrical component rating:	Heated Surface: 120 V, 0.5 A, 60 Hz, 65 W
Minimum flat for door:	2-1/8" (54 mm)

### Notes

Measure your actual product for rough-in  
 details.

Install this product according to the installation  
 instructions.

The hot water supply should be 70% of the  
 capacity of the bath or greater. Installations will  
 vary.

If installing a rim-mount faucet, make sure there  
 is no interference above or below the deck  
 before drilling any holes.