

Features

- 0.5 gpm (1.9 lpm) maximum flow rate
- Factory-set 30-second maximum continual run cycle
- Vandal-resistant aerator
- 24" (610 mm) flexible supply hose for easy installation
- 5-3/4" (146 mm) spout reach
- Less temperature mixer
- Less drain

Material

- Brass

Technology

- Requires an AC power supply
- Electronic Insight™ sensor technology for accurate and consistent activation

Installation

- Single-hole mounting
- Above-counter valve for easy installation and maintenance
- Please order 13480-A or 13481-A power supplies for North America installations

Required Products/Accessories

[K-13480-A](#) AC Single Supply

or

[K-13481-A](#) Multi-Outlet Power Supply

or

[K-13480](#) AC Single Supply

or

[K-13481](#) Multi-Outlet Power Supply

Recommended Products/Accessories

- K-13487 4' Cable Assembly
- K-13602 6' Cable Assembly
- K-13604 10' Cable Assembly
- K-23726 Drain treatment
- K-23723 Faucet cleaner

Optional Products/Accessories

- 1160595 .35 gpm Aerator, Medium
- 1075455 Medium Spray 0.5 gpm (1.9 l/min)
- 1139284 Medium Aerated 1.0 gpm (3.8 l/min)
- 1139285 Medium Laminar 1.0 gpm (3.8 l/min)
- 1097180 Medium Aerated 1.5 gpm (5.7 l/min)
- 1104546 Medium Laminar 1.5 gpm (5.7 l/min)
- 79441 Sealing Washer
- K-99799 Thermostatic Tempering Valve
- K-13478-A 4" escutcheon plate for Insight™ and Kinesis® faucet



ADA

CSA B651

OBC

Codes/Standards



ASME A112.18.1/CSA B125.1
NSF/ANSI/CAN 372
All applicable US Federal and State material regulations
DOE - Energy Policy Act 1992
ADA
ICC/ANSI A117.1
CSA B651
OBC
IAPMO Certification

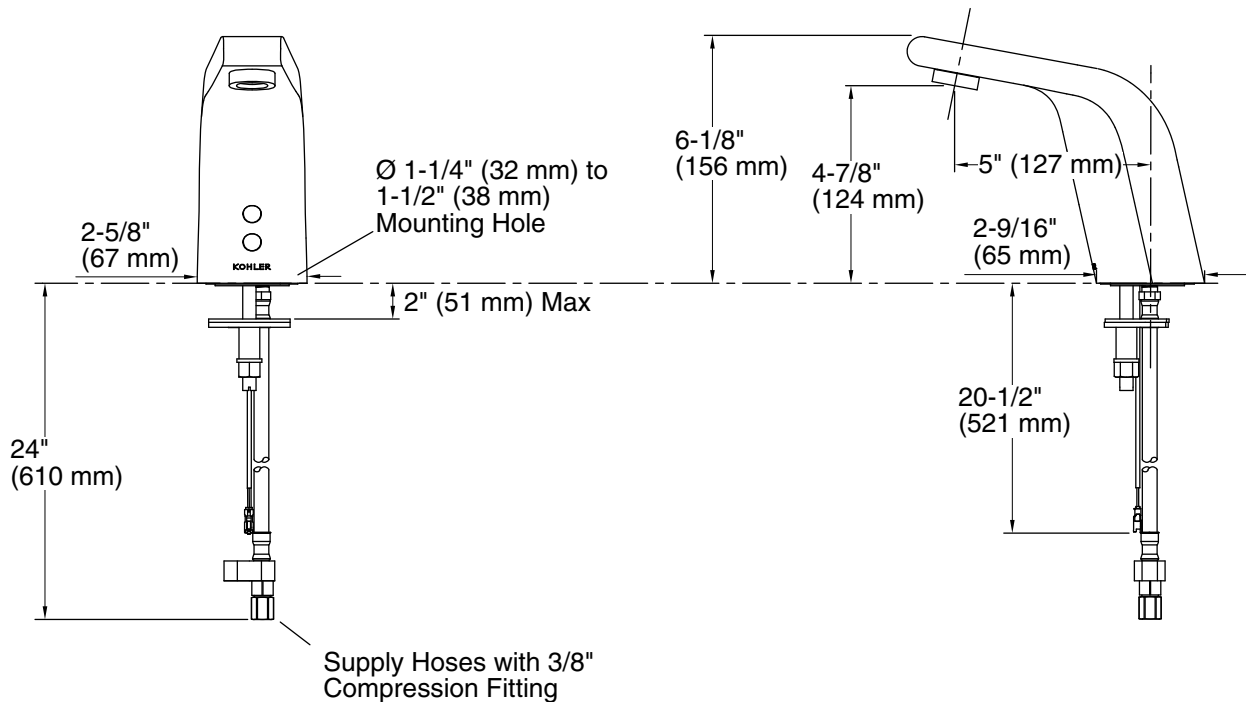
KOHLER® One-Year Limited Warranty

See website for detailed warranty information.

Available Colors/Finishes

Color tiles intended for reference only.

Color	Code	Description
	CP	Polished Chrome
	VS	Vibrant® Stainless



Technical Information

All product dimensions are nominal.

Power source: Plug - AC, not included

Faucet:

Flow rate: 0.5 gal/min (1.9 l/min)

Drain included: No

Spout:

Spout reach: 5" (127 mm)

Handshower:

Rated maximum flow: 0 gal/min (0 l/min)

Notes

Install this product according to the installation guide.

A 1-1/4" (32 mm) minimum to 1-1/2" (38 mm) maximum diameter mounting hole is required.

The minimum distance between the back of the faucet spout and the wall must be 1-3/4" (44 mm). This will allow proper clearance for setscrew access.

The maximum distance between the bathroom sink basin edge to the base of the faucet spout must be 1-3/4" (44 mm).

The maximum height of the lip basin should be 3/4" (19 mm).

Product includes rosebud spray aerator. Other aerator styles are available.

This product requires an AC power supply (not included).

ADA, OBC, CSA B651 compliant when installed to the specific requirements of these regulations.