

### Features

- 0.35 gpm (1.3 lpm) maximum flow rate at 60 psi (4.14 bar)
- Factory-set 30-second maximum continual run cycle
- Vandal-resistant aerator
- 24" (610 mm) flexible supply hose for easy installation
- 5-5/16" (135 mm) spout reach
- Less drain

### Material

- Brass

### Technology

- Requires an AC power supply
- Electronic Insight™ sensor technology for accurate and consistent activation

### Installation

- Single-hole mounting
- Above-counter valve for easy installation and maintenance
- 13480-A and 13481-A power supplies are designed for North America outlets. For international outlets please use 13480 and 13481



ADA

CSA B651

OBC

### Codes/Standards

ASME A112.18.1/CSA B125.1

NSF/ANSI/CAN 372

All applicable US Federal and State material regulations

DOE - Energy Policy Act 1992

California Energy Commission (CEC)

ADA

ICC/ANSI A117.1

CSA B651

OBC

### KOHLER® One-Year Limited Warranty

See website for detailed warranty information.

### Available Colors/Finishes

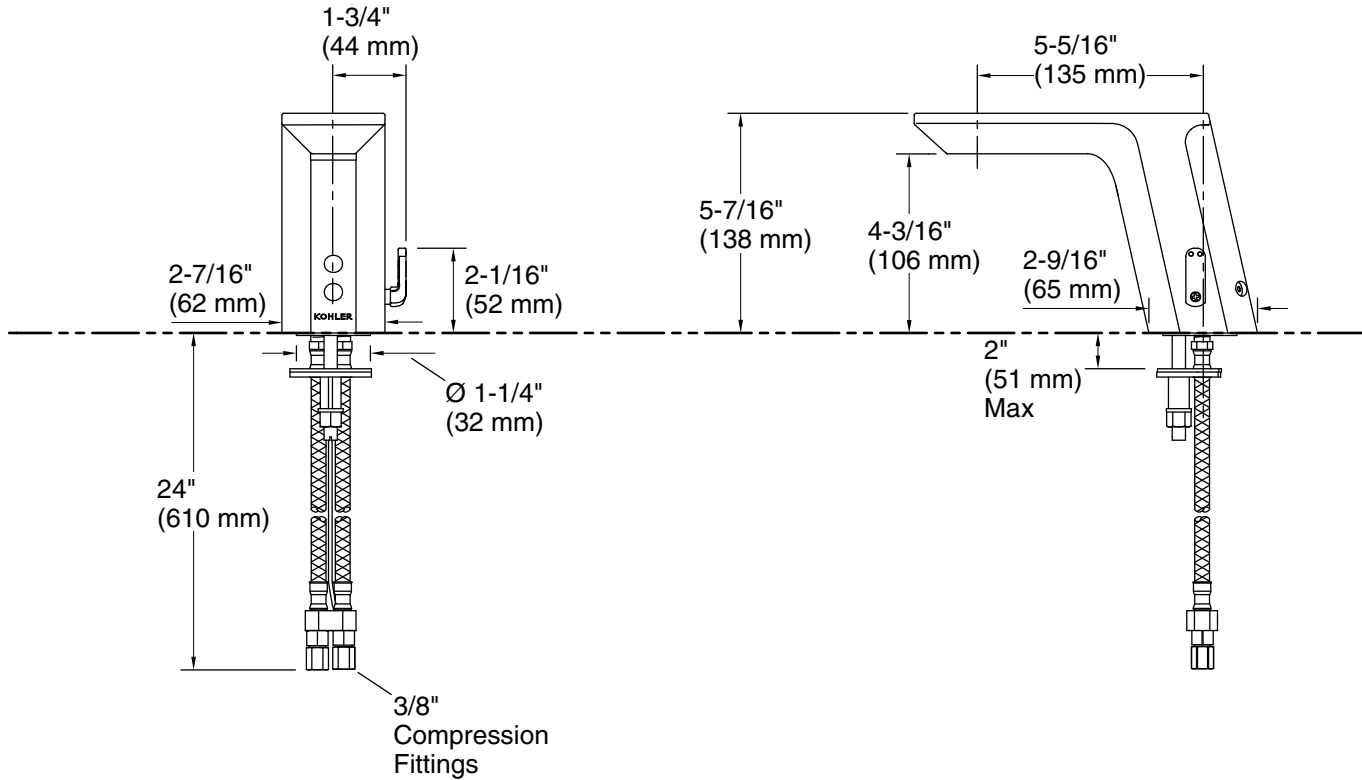
*Color tiles intended for reference only.*

Color	Code	Description
-------	------	-------------



CP

Polished Chrome



### Technical Information

All product dimensions are nominal.

Power source: Plug - AC, not included

#### Faucet:

Flow rate: 0.35 gal/min (1.3 l/min)

Drain included: No

Drain with overflow: No

#### Spout:

Spout reach: 5" (127 mm)

#### Handshower:

Rated maximum flow: 0 gal/min (0 l/min)

### Notes

Install this product according to the installation instructions.

ADA, OBC, CSA B651 compliant when installed to the specific requirements of these regulations.