

# KOHLER®

## K-13517-RF

Manual retrofit toilet flushometer, 1.28 gpf

### Features

- Fixture-mount design
- Retrofit models require a control stop and vacuum breaker



### Sustainability



1-800-4KOHLER (1-800-456-4537)  
Kohler Co. reserves the right to make revisions without notice to product specifications.  
For the most current specification sheet, go to [www.kohler.com](http://www.kohler.com) USA or [www.kohler.ca](http://www.kohler.ca) Canada.  
5-30-2026 4:8 - US-CA

THE BOLD LOOK  
OF **KOHLER**®

## Codes/Standards

ADA, OBC, CSA B651 compliant when installed to the specific requirements of these regulations.  
 This product should be used with a WaterSense labeled counterpart with the same rated flush volume to ensure the complete system meets the requirements of this specification for water efficiency and performance.



ADA    CSA B651    OBC

ASME A112.18.1/CSA B125.1  
 CSA B64  
 CSA B125.3  
 ASSE 1037/ASME A112.1037/CSA B125.37  
 EPA WaterSense®  
 ADA  
 ICC/ANSI A117.1  
 CSA B651  
 OBC

## Technical Information

All product dimensions are nominal.

### Handle

Handle Style/ Type:                      Lever

## Pressure/Fixture Supply Requirements

Minimum Flowing Pressure:    25 psi (172.4 kPa)  
 Minimum Flow Rate:            25 gpm (94.6 l/min)

## Material

- Brass

## Recommended Products/Accessories

K-23723 Faucet cleaner

## Technology

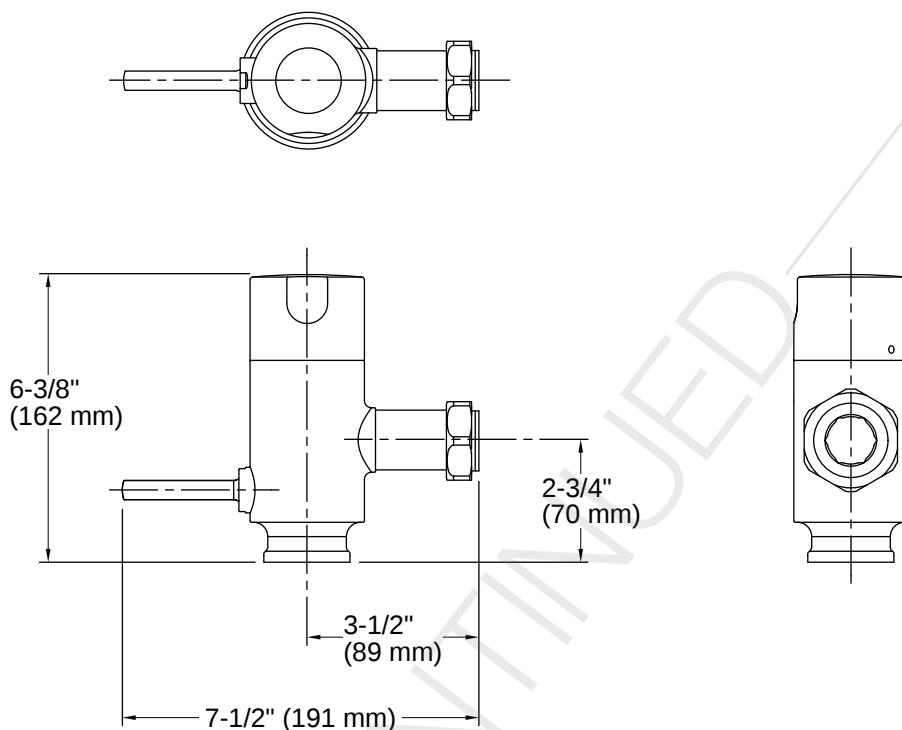
- Nonhold open piston technology for accurate activation

## Warranty

See website for detailed warranty information.

KOHLER® One-Year Limited Warranty





## Installation

- Intended for toilet installations with 1-1/2" (38 mm) spud coupling connection

## Installation Notes

*Install this product according to the installation instructions.*

ADA, OBC, CSA B651 compliant when installed to the specific requirements of these regulations.

