

Features

- Fixture-mount design
- Retrofit models require a control stop and vacuum breaker

Material

- Brass

Technology

- Nonhold open piston technology for accurate activation

Installation

- Intended for urinal installations with 3/4" (19 mm) spud coupling connection



ADA

CSA B651

OBC

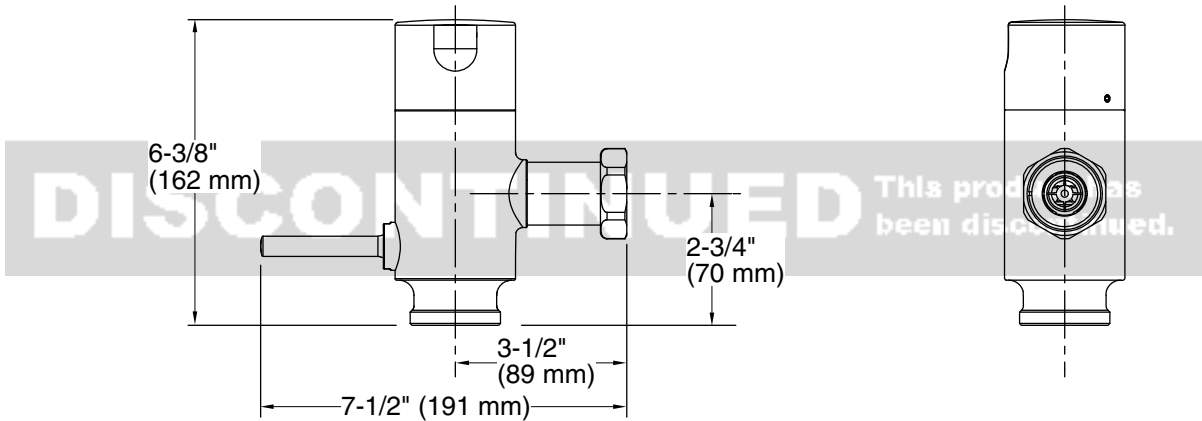
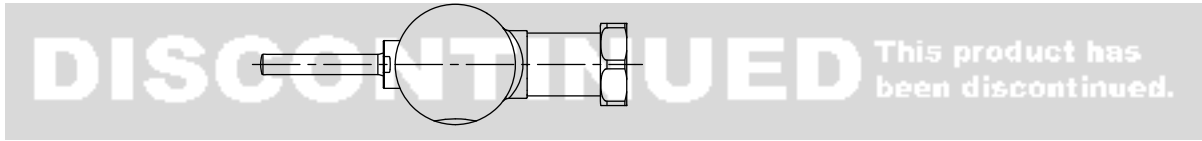
Codes/Standards

ASME A112.18.1/CSA B125.1
CSA B125.3
CSA B64
ASSE 1037/ASME A112.1037/CSA B125.37
ADA
ICC/ANSI A117.1
CSA B651
OBC
IAPMO Certification

KOHLER® One-Year Limited Warranty

See website for detailed warranty information.

DISCONTINUED This product has been discontinued.



Technical Information

All product dimensions are nominal.

Handshower:

Rated maximum flow: 0 gal/min (0 l/min)

Pressure/fixture Supply Requirements

Fixture pressure max (static): 80 psi (551.6 kPa)
 Min flowing pressure: 25 psi (172.4 kPa)
 Min flow rate: 10 gpm (37.9 lpm)

Notes

Install this product according to the installation guide.

ADA, OBC, CSA B651 compliant when installed to the specific requirements of these regulations.