

Features

- Single-speed whirlpool offers performance and value with 8 fully adjustable jets
- Hydromassage flow and direction can be controlled at each jet
- Integral lumbar support and armrests offer extra comfort while bathing
- Integral apron
- Integral flange helps prevent water from seeping behind wall and simplifies alcove installation
- Textured bottom surface
- Coordinates with other products in the Devonshire collection

Material

- Acrylic

Hydrotherapy

- Whirlpool

Installation

- Right drain
- Alcove

Required Products/Accessories

K-T37391 Rotary-turn bath drain trim
K-T37392 Rotary-turn bath drain trim

or

K-37383 Rough-in cable bath drain, PVC, 30" cable with tubing
K-78438 30" cable bath drain

or

K-37385 rough-in cable drain, PVC, 45" cable
K-78439 45" cable bath drain

Recommended Products/Accessories

K-7213 27" Cable Bath Drain
K-7214 27" Cable Bath Drain
K-7259 Brass toe tap bath drain
K-1491 Bath/Whirlpool Pillow
K-1601 Bath/whirlpool footstop, removable
K-23726 Drain treatment
K-23732 Tub & shower cleaner
K-31798 Bath drain kit



Codes/Standards

ASME A112.19.7/CSA B45.10
CSA B45.5/IAPMO Z124
ASTM E162
ASTM E662
UL 1795
CSA C22.2 No. 218.2
IAPMO Certification
cUL Listed
UL Listed


KOHLER® Plastic Baths and Shower Bases Lifetime Limited Warranty KOHLER® Hydrotherapy Components Five-Year Limited Warranty

See website for detailed warranty information.

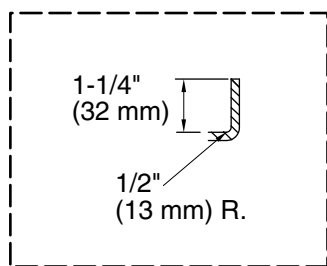
Available Colors/Finishes

Color tiles intended for reference only.

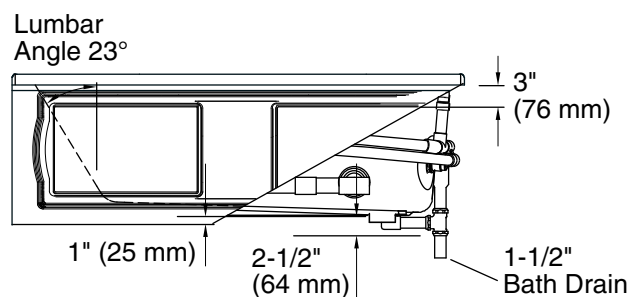
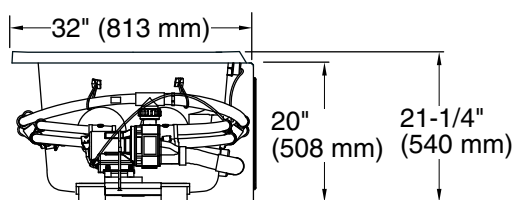
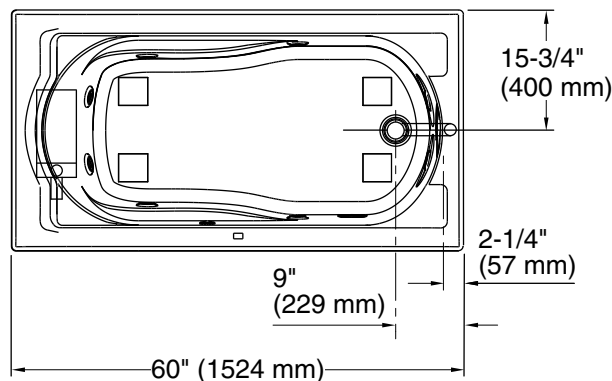
Color Code Description

	0	White
---	---	-------

No change in measurements if connected with drain illustrated. (K-7161-AF)



Integral Flange Detail



Required Electrical Service

One dedicated circuit required, protected with Class A Ground-Fault Circuit-Interrupter (GFCI). Outside North America, this device may be known as a Residual Current Device (RCD).

Pump: 120 V, 15 A, 50/60 Hz

Technical Information

All product dimensions are nominal.

Drain location: Right

Basin area, bottom: 42" x 20" (1067 mm x 508 mm)

Basin area, top: 51" x 24" (1295 mm x 610 mm)

Weight: 135 lbs (61.2 kg)

Minimum floor load: 50 lbs/ft² (244.1 kg/m²)

Water depth: 14" (356 mm)

Water capacity: 60 gal (227.1 L)

Electrical component Pump: 120 V, 7 A, 60 Hz rating:

Notes

Measure your actual product for rough-in details.

Install this product according to the installation instructions.

The hot water supply should be 70% of the capacity of the bath or greater. Installations will vary.