

### Features

- Four Riverjets and eight hydromassage jets can be individually adjusted for water flow and direction
- Two variable-speed pumps for adjusting massage intensity
- Built-in heater
- Lighted keypad control
- Floating remote control
- Integral fill with factory-installed faucet valves
- Spacious design accommodates multiple bathers
- Drilled for grab bars (required); sold separately
- Requires jet trim kit (sold separately)
- Three pillows provide extra comfort

### Material

- Acrylic

### Hydrotherapy

- RiverBath Whirlpool

### Installation

- Drop-in

### Required Products/Accessories

- K-37385 rough-in cable drain, PVC, 45" cable
- K-78439 45" cable bath drain
- K-9398 Whirlpool Trim Kit
- K-9669 Hand Grab Bars
- K-T37391 Rotary-turn bath drain trim
- K-T37392 Rotary-turn bath drain trim
- K-T9540-4 Transfer Valve Trim

### Recommended Products/Accessories

- K-23726 Drain treatment
- K-23732 Tub & shower cleaner



### Codes/Standards

ASME A112.19.7/CSA B45.10  
CSA B45.5/IAPMO Z124  
ASTM E162  
ASTM E662  
UL 1795  
CSA C22.2 No. 218.2  
IAPMO Certification  
cUL Listed  
UL Listed

### KOHLER® Plastic Baths and Shower Bases Lifetime Limited Warranty KOHLER® Hydrotherapy Components Five-Year Limited Warranty

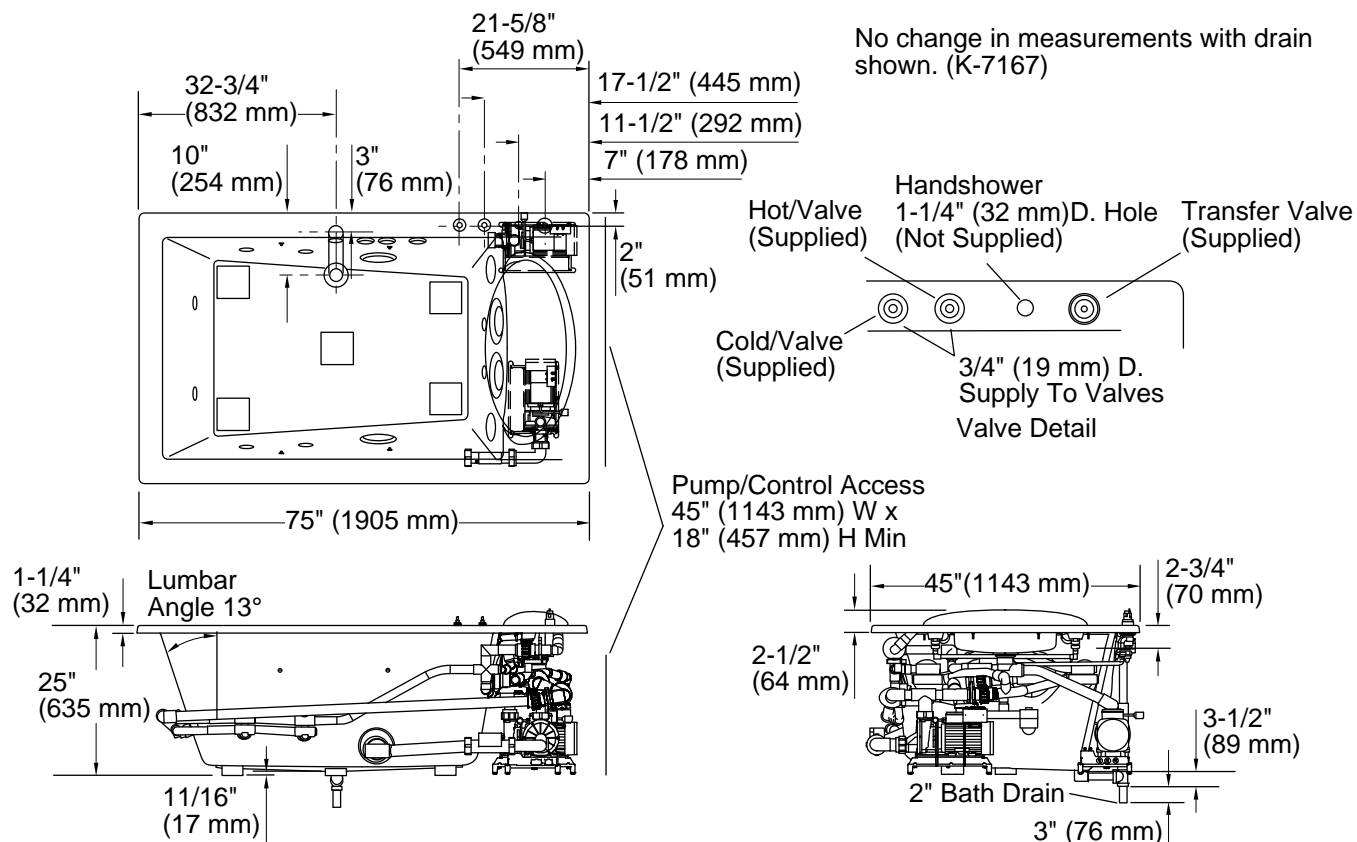
See website for detailed warranty information.

### Available Colors/Finishes

*Color tiles intended for reference only.*

#### Color Code Description

■ 0 White



### Required Electrical Service

Two dedicated circuits required, protected with Class A Ground-Fault Circuit-Interrupter (GFCI). Outside North America, this device may be known as a Residual Current Device (RCD).

Pump, Pump: 240 V, 20 A, 50/60 Hz  
Heater: 240 V, 20 A, 50/60 Hz

### Technical Information

All product dimensions are nominal.

Drain location: Center  
Basin area, bottom: 46" x 34" (1168 mm x 864 mm)  
Basin area, top: 57" x 37" (1448 mm x 940 mm)  
Weight: 215 lbs (97.5 kg)  
Minimum floor load: 62 lbs/ft<sup>2</sup> (302.7 kg/m<sup>2</sup>)  
Water depth: 20" (508 mm)  
Water capacity: 149 gal (564 L)  
Template: Drop-in, 1000153-7, required, included  
Electrical component rating: Pump: 240 V, 9 A, 50/60 Hz  
Pump: 240 V, 9 A, 50/60 Hz  
Heater: 240 V, 17 A, 50/60 Hz, 4000 W

Pump speed: Variable

1-800-4KOHLER (1-800-456-4537)

Kohler Co. reserves the right to make revisions without notice to product specifications.

For the most current Specification Sheet, go to [www.kohler.com](http://www.kohler.com) USA or [www.kohler.ca](http://www.kohler.ca) Canada

12-9-2024 21:04 - US/CA

### Notes

Measure your actual product for rough-in details.

Install this product according to the installation instructions.

The hot water supply should be 70% of the capacity of the bath or greater. Installations will vary.

Consult local and national codes for minimum air gap requirements when installing a spout on the faucet deck other than that supplied.

The PerfectFill drain includes piping that will fit most installations. Some installations may require additional PVC piping.