

### Features

- 5" (127 mm) spout reach
- Flange
- 1/2" NPT inside-threaded inlets
- Standard aerator
- Lower flow aerator options are available
- 2.5 gpm (9.5 lpm) maximum flow rate at 60 psi (4.14 bar)

### Material

- Brass

### Recommended Products/Accessories

K-23723 Faucet cleaner

### Optional Products/Accessories

1160594 .35 gpm Aerator, Large



### Codes/Standards

ASME A112.18.1/CSA B125.1

NSF/ANSI/CAN 61

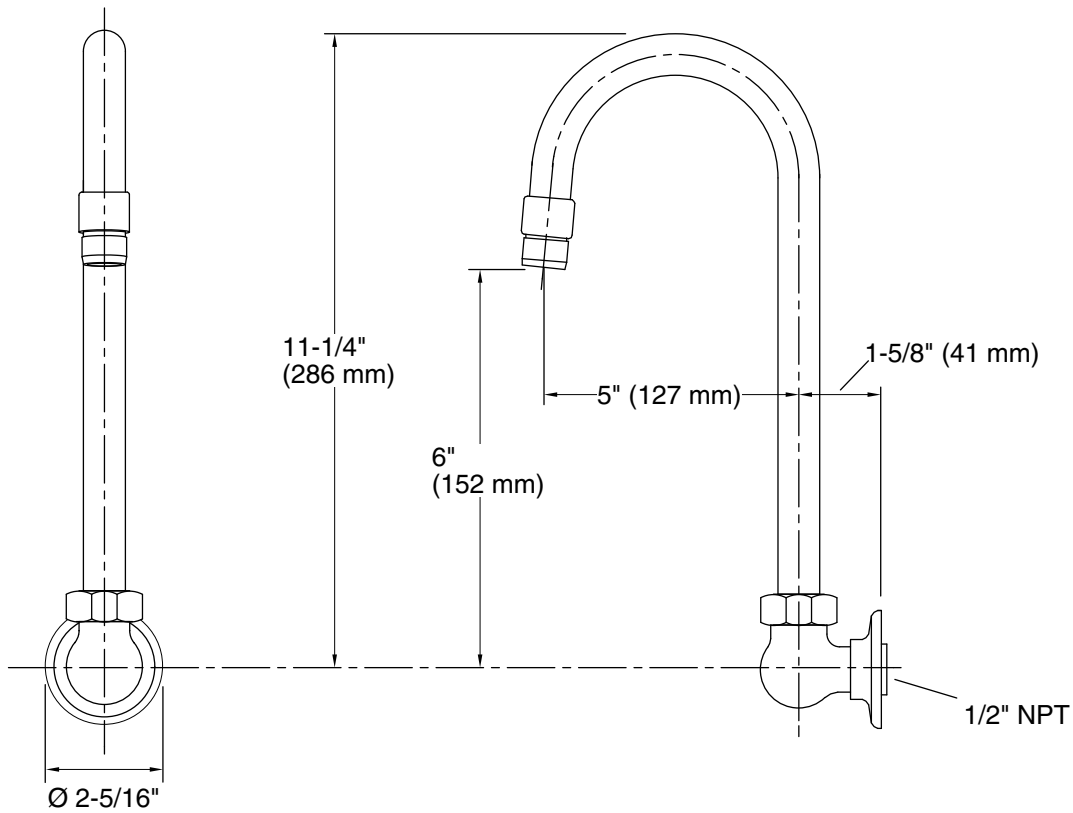
NSF/ANSI/CAN 372

DOE - Energy Policy Act 1992

IAPMO Certification

### KOHLER® One-Year Limited Warranty

See website for detailed warranty information.



### Technical Information

All product dimensions are nominal.

#### Faucet:

Flow rate: 2.2 gal/min (8.3 l/min)

Drain included: No

#### Spout:

Spout reach: 5" (127 mm)

#### Handshower:

Rated maximum flow: 0 gal/min (0 l/min)

### Notes

Install this product according to the installation guide.