



Triton®
Built-in Bedpan Washer
K-13931-2A

Features

- Standard sprayhead
- Standard handle
- Self-closing, lever-control spray and hook
- 1/2" NPT inside-threaded union inlets
- Single 1/2" valve with ceramic valve
- 1/2" (12.7 mm) screwdriver check stop
- Vacuum breaker
- Vinyl hose

Recommended Products/Accessories

K-23723 Faucet cleaner

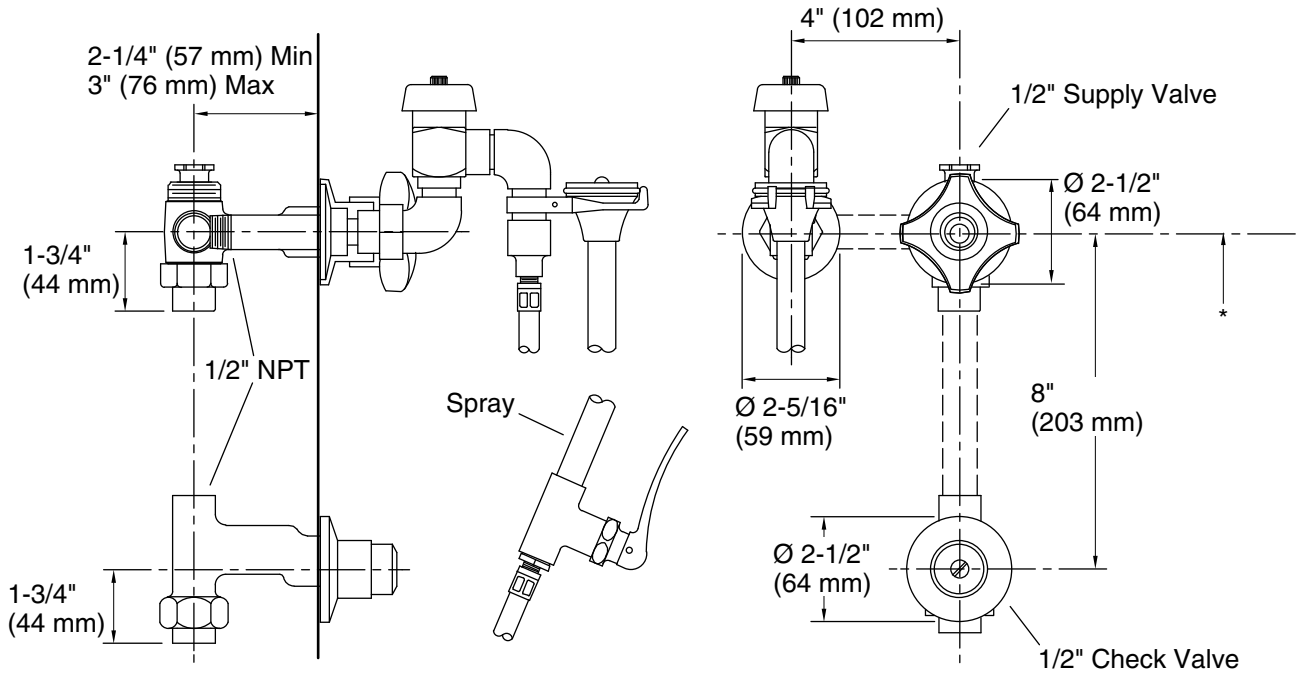


Codes/Standards

None Applicable

**KOHLER® Faucet Lifetime Limited
Warranty**

See website for detailed warranty information.



* Consult Local Codes For Vacuum Breaker Height.

Technical Information

All product dimensions are nominal.

Material: Brass

Notes

Install this product according to the installation guide.