

Features

- Four Riverjets and eight hydromassage jets can be individually adjusted for water flow and direction
- Two variable-speed pumps for adjusting massage intensity
- Chromatherapy lighting allows you to select a preferred color scheme to suit your mood
- Built-in heater
- Lighted keypad control
- Floating remote control
- Spacious design accommodates multiple bathers
- Requires jet trim kit (sold separately)
- Waterfall pillow and two removable bath pillows

Material

- Acrylic

Hydrotherapy

- RiverBath Whirlpool
- Chromatherapy

Installation

- Drop-in

Required Products/Accessories

K-9398 Whirlpool Trim Kit

or

K-T37391 Rotary-turn bath drain trim

K-T37392 Rotary-turn bath drain trim

or

K-37385 rough-in cable drain, PVC, 45" cable

K-78439 45" cable bath drain

Recommended Products/Accessories

K-23726 Drain treatment

K-23732 Tub & shower cleaner

K-31798 Bath drain kit



Codes/Standards

ASME A112.19.7/CSA B45.10

CSA B45.5/IAPMO Z124

ASTM E162

ASTM E662

UL 1795

CSA C22.2 No. 218.2

IAPMO Certification

cUL Listed

UL Listed

KOHLER® Plastic Baths and Shower Bases Lifetime Limited Warranty KOHLER® Hydrotherapy Components Five-Year Limited Warranty

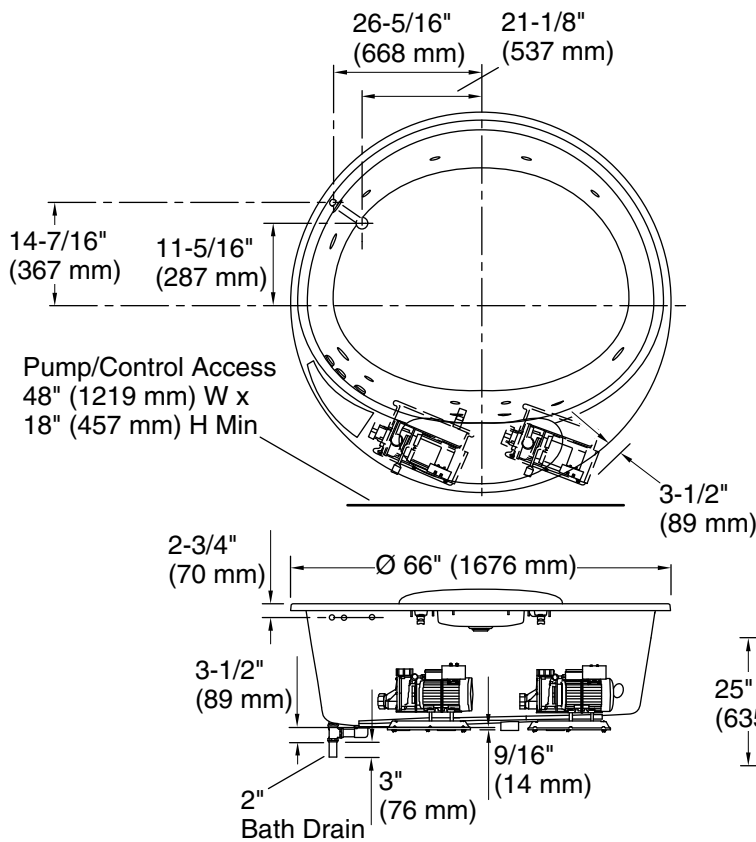
See website for detailed warranty information.

Available Colors/Finishes

Color tiles intended for reference only.

Color Code Description

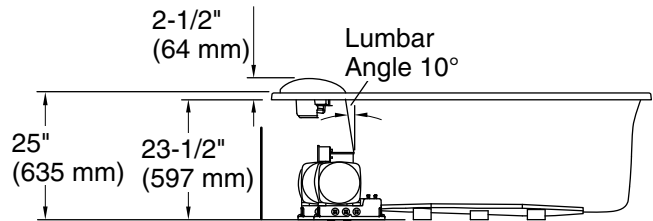
■ 0 White



No change in measurements if connected with drain illustrated. (K-7167)

Drop-in cut-out Ø 64-1/2" (1638 mm)

 Recommended Faucet Location



Required Electrical Service

Two dedicated circuits required, protected with Class A Ground-Fault Circuit-Interrupter (GFCI). Outside North America, this device may be known as a Residual Current Device (RCD).

Pump, Pump: 240 V, 20 A, 50/60 Hz
 Heater: 240 V, 20 A, 50/60 Hz

Technical Information

All product dimensions are nominal.

Drain location: Center
 Basin area, bottom: 54-1/2" x 44" (1384 mm x 1118 mm)
 Basin area, top: 61-5/8" x 54-1/2" (1565 mm x 1384 mm)
 Weight: 260 lbs (117.9 kg)
 Minimum floor load: 54 lbs/ft² (263.7 kg/m²)
 Water depth: 19" (483 mm)
 Water capacity: 196 gal (741.9 L)
 Template: Drop-in, 1006705-7, required, included
 Electrical component rating:
 Pump: 240 V, 9 A, 50/60 Hz
 Pump: 240 V, 9 A, 50/60 Hz
 Heater: 240 V, 17 A, 50/60 Hz, 4000 W

Pump speed: Variable

1-800-4KOHLER (1-800-456-4537)

Kohler Co. reserves the right to make revisions without notice to product specifications.

For the most current Specification Sheet, go to www.kohler.com USA or www.kohler.ca Canada

11-18-2024 22:31 - US/CA

Notes

Measure your actual product for rough-in details.

Install this product according to the installation instructions.

The hot water supply should be 70% of the capacity of the bath or greater. Installations will vary.

Model allows fill valving of choice. Use the pre-installed dual fill ports or a separate fill spout if desired.

If installing a rim-mount faucet, make sure there is no interference above or below the deck before drilling any holes.

The PerfectFill drain includes piping that will fit most installations. Some installations may require additional PVC piping.