

Features

- Bask® heated surface creates spa-like relaxation with soothing warmth on your back, shoulders, and neck
- Three heat settings allow you to customize the surface temperature
- Generous length provides a spacious bathing area
- Coordinates with other products in the Memoirs collection

Material

- Acrylic

Installation

- Reversible drain
- Drop-in

Required Products/Accessories

K-T37391 Rotary-turn bath drain trim
K-T37392 Rotary-turn bath drain trim

or

K-37385 rough-in cable drain, PVC, 45" cable
K-78439 45" cable bath drain

Recommended Products/Accessories

K-23726 Drain treatment
K-23732 Tub & shower cleaner
K-31798 Bath drain kit

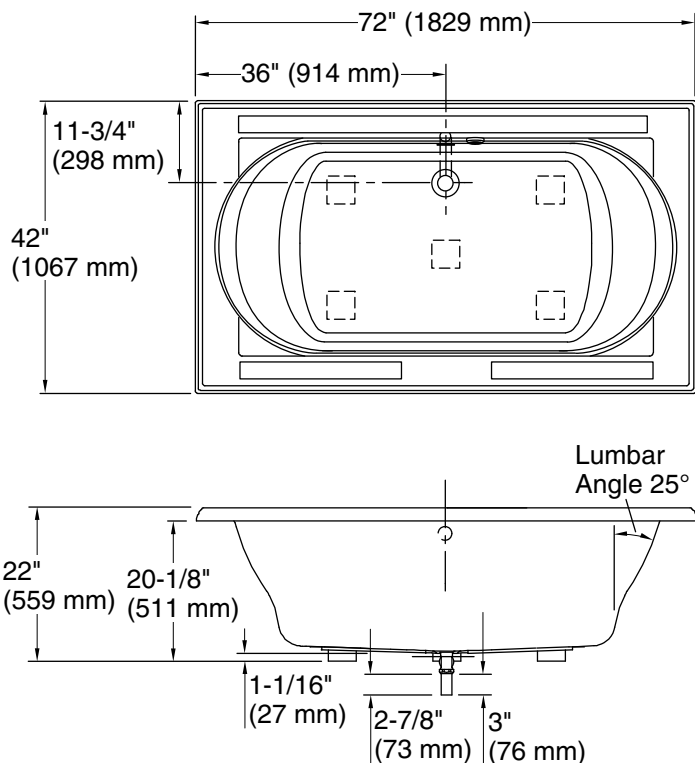


Codes/Standards

CSA B45.5/IAPMO Z124
ASTM E162
ASTM E662
UL 1795
CSA C22.2 No. 218.2
IAPMO Certification
cUL Listed
UL Listed

**KOHLER® Plastic Baths and
Receptors Lifetime Limited
Warranty KOHLER® Hydrotherapy
Components Five-Year Limited
Warranty**

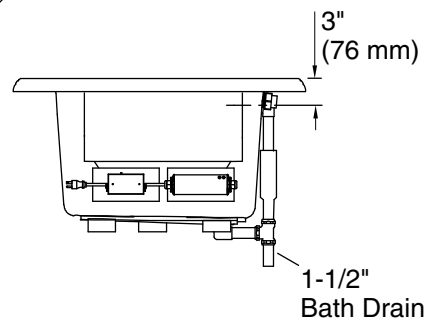
See website for detailed warranty information.



No change in measurements if connected with drain illustrated. (K-7161-AF)

 Recommended Faucet Location

Access Panel
 20" (508 mm) L x
 15" (381 mm) H Min



Required Electrical Service

One circuit required, protected with Class A Ground-Fault Circuit-Interrupter (GFCI). Outside North America, this device may be known as a Residual Current Device (RCD).

Heated Surface: 120 V, 15 A

Technical Information

All product dimensions are nominal.

| | |
|------------------------------|---|
| Drain location: | Center |
| Basin area, bottom: | 48" x 27" (1219 mm x 686 mm) |
| Basin area, top: | 60" x 30" (1524 mm x 762 mm) |
| Weight: | 86 lbs (39 kg) |
| Minimum floor load: | 43 lbs/ft ² (209.9 kg/m ²) |
| Water depth: | 16" (406 mm) |
| Water capacity: | 94 gal (355.8 L) |
| Cutout: | Drop-in, 70-1/2" x 40-1/2" (1791 mm x 1029 mm) |
| Electrical component rating: | Heated Surface: 120 V, 0.5 A, 60 Hz, 65 W |
| Minimum flat for door: | 3-13/16" (97 mm) |

Notes

Measure your actual product for rough-in details.

Install this product according to the installation instructions.

The hot water supply should be 70% of the capacity of the bath or greater. Installations will vary.

This bath is designed for drop-in installation only. It is not suited for use in a three wall alcove with an overhead shower.

If installing a rim-mount faucet, make sure there is no interference above or below the deck before drilling any holes.