

#### Features

- 8 hydromassage jets can be individually adjusted for water flow and direction
- Variable-speed pump for adjusting hydromassage intensity
- Built-in heater
- Electronic keypad
- Spacious design accommodates up to two bathers
- Coordinates with other products in the Memoirs collection

#### Material

- Acrylic

#### Hydrotherapy

- Whirlpool

#### Installation

- Drop-in

#### Required Products/Accessories

K-9698 Flexjet® Whirlpool Trim Kit

or

K-T37391 Rotary-turn bath drain trim

K-T37392 Rotary-turn bath drain trim

or

K-37385 rough-in cable drain, PVC, 45" cable

K-78439 45" cable bath drain

or

K-37383 Rough-in cable bath drain, PVC, 30" cable with tubing

K-78438 30" cable bath drain

#### Recommended Products/Accessories

K-1491 Bath/Whirlpool Pillow

K-1601 Bath/whirlpool footstop, removable

K-23726 Drain treatment

K-23732 Tub & shower cleaner



#### Codes/Standards

ASME A112.19.7/CSA B45.10

CSA B45.5/IAPMO Z124

ASTM E162

ASTM E662

UL 1795

CSA C22.2 No. 218.2

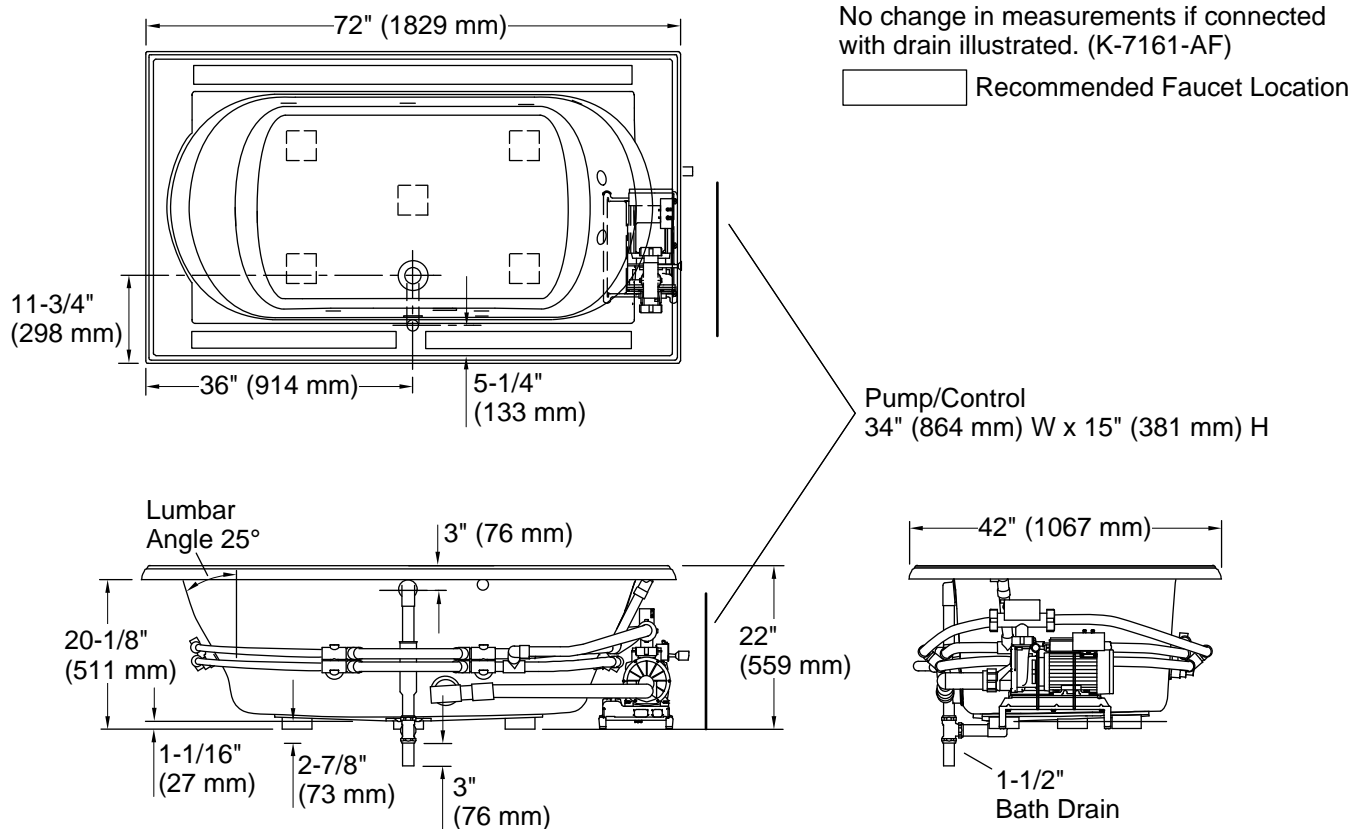
IAPMO Certification

cUL Listed

UL Listed

#### **KOHLER® Plastic Baths and Shower Bases Lifetime Limited Warranty KOHLER® Hydrotherapy Components Five-Year Limited Warranty**

See website for detailed warranty information.



#### Required Electrical Service

One dedicated circuit required, protected with Class A Ground-Fault Circuit-Interrupter (GFCI). Outside North America, this device may be known as a Residual Current Device (RCD).

Pump, Heater: 240 V, 20 A, 50/60 Hz

#### Technical Information

All product dimensions are nominal.

Drain location: Center

Basin area, bottom: 48" x 27" (1219 mm x 686 mm)

Basin area, top: 60" x 30" (1524 mm x 762 mm)

Weight: 140 lbs (63.5 kg)

Minimum floor load: 43 lbs/ft<sup>2</sup> (209.9 kg/m<sup>2</sup>)

Water depth: 16" (406 mm)

Water capacity: 94 gal (355.8 L)

Cutout: Drop-in, 70-1/2" x 40-1/2" (1791 mm x 1029 mm)

Electrical component rating: Pump: 240 V, 11 A, 50/60 Hz  
Heater: 240 V, 6.3 A, 50/60 Hz, 1500 W

Pump speed: Variable

#### Notes

Measure your actual product for rough-in details.

Install this product according to the installation instructions.

The hot water supply should be 70% of the capacity of the bath or greater. Installations will vary.

This whirlpool is designed for drop-in installation only. It is not suited for use in a three wall alcove with an overhead shower.

If installing a rim-mount faucet, make sure there is no interference above or below the deck before drilling any holes.