

Features

- 8 hydromassage jets can be individually adjusted for water flow and direction
- Variable-speed pump for adjusting hydromassage intensity
- Built-in heater
- Electronic keypad
- Spacious design accommodates up to two bathers
- Multiple pump location options give you more choices for installation and access
- Coordinates with other products in the Memoirs collection

Material

- Acrylic

Hydrotherapy

- Whirlpool

Installation

- Drop-in

Required Products/Accessories

K-9698 Flexjet® Whirlpool Trim Kit

or

K-T37391 Rotary-turn bath drain trim

K-T37392 Rotary-turn bath drain trim

or

K-37385 rough-in cable drain, PVC, 45" cable

K-78439 45" cable bath drain

or

K-37383 Rough-in cable bath drain, PVC, 30" cable with tubing

K-78438 30" cable bath drain

Recommended Products/Accessories

K-1491 Bath/Whirlpool Pillow

K-1601 Bath/whirlpool footstop, removable

K-23726 Drain treatment

K-23732 Tub & shower cleaner



Codes/Standards

ASME A112.19.7/CSA B45.10

CSA B45.5/IAPMO Z124

ASTM E162

ASTM E662

UL 1795

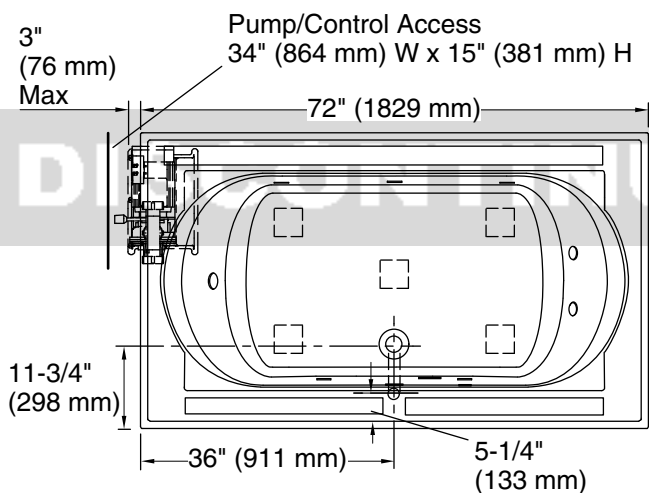
CSA C22.2 No. 218.2

cUL Listed

UL Listed

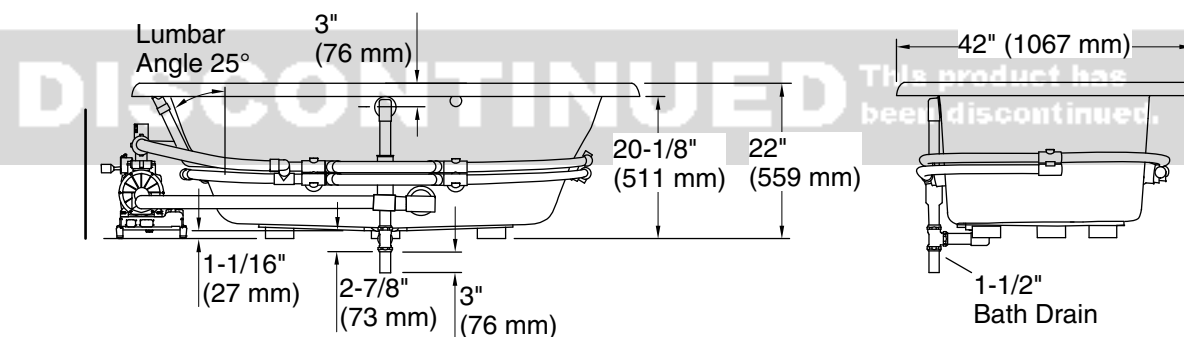
KOHLER® Plastic Baths and Shower Bases Lifetime Limited Warranty
KOHLER® Hydrotherapy Components Five-Year Limited Warranty

See website for detailed warranty information.



No change in measurements if connected with drain illustrated. (K-7161-AF)

 Recommended Faucet Location



Required Electrical Service

One dedicated circuit required, protected with Class A Ground-Fault Circuit-Interrupter (GFCI). Outside North America, this device may be known as a Residual Current Device (RCD).

Pump, Heater: 240 V, 20 A, 50/60 Hz

Technical Information

All product dimensions are nominal.

Drain location:	Center
Basin area, bottom:	48" x 27" (1219 mm x 686 mm)
Basin area, top:	60" x 30" (1524 mm x 762 mm)
Weight:	140 lbs (63.5 kg)
Minimum floor load:	45 lbs/ft ² (219.7 kg/m ²)
Water depth:	16" (406 mm)
Water capacity:	94 gal (355.8 L)
Cutout:	Drop-in, 70-1/2" x 40-1/2" (1791 mm x 1029 mm)
Electrical component rating:	Pump: 240 V, 11 A, 50/60 Hz Heater: 240 V, 50/60 Hz, 1500 W
Pump speed:	Variable

Notes

Measure your actual product for rough-in details.

Install this product according to the installation instructions.

The hot water supply should be 70% of the capacity of the bath or greater. Installations will vary.

Pump must be relocated to custom position at the time of installation. Provide adequate clearance.

This whirlpool is designed for drop-in installation only. It is not suited for use in a three wall alcove with an overhead shower.

If installing a rim-mount faucet, make sure there is no interference above or below the deck before drilling any holes.