

Features

- 6 hydromassage jets can be individually adjusted for water flow and direction
- Variable-speed pump for adjusting hydromassage intensity
- Adjustable neckjet pillow with 2 jets provides a stimulating, stress-relieving neck massage
- 10 backjets target the lower back and shoulders to relieve tension and encourage deep breathing
- Chromatherapy lighting allows you to select a preferred color scheme to suit your mood
- Built-in heater
- Remote control
- Lighted keypad control
- Generous length provides a spacious bathing area
- Drilled for grab bars (required); sold separately

Material

- Acrylic

Hydrotherapy

- 8 effervescence ports deliver gentle, caressing bubbles
- Whirlpool
- Neckjets
- Backjets
- Chromatherapy

Installation

- Drop-in

Required Products/Accessories

K-9653 Grab bars for whirlpool baths with Spa/Massage package

or

K-T37391 Rotary-turn bath drain trim

K-T37392 Rotary-turn bath drain trim

or

K-37385 rough-in cable drain, PVC, 45" cable

K-78439 45" cable bath drain

Recommended Products/Accessories

K-1601 Bath/whirlpool footstop, removable

K-9696 Whirlpool 6-Jet Trim Kit

K-23726 Drain treatment

K-23732 Tub & shower cleaner

K-31798 Bath drain kit



Codes/Standards

ASME A112.19.7/CSA B45.10

CSA B45.5/IAPMO Z124

ASTM E162

ASTM E662

UL 1795

CSA C22.2 No. 218.2

IAPMO Certification

UL Listed



KOHLER® Plastic Baths and Shower Bases Lifetime Limited Warranty KOHLER® Hydrotherapy Components Five-Year Limited Warranty

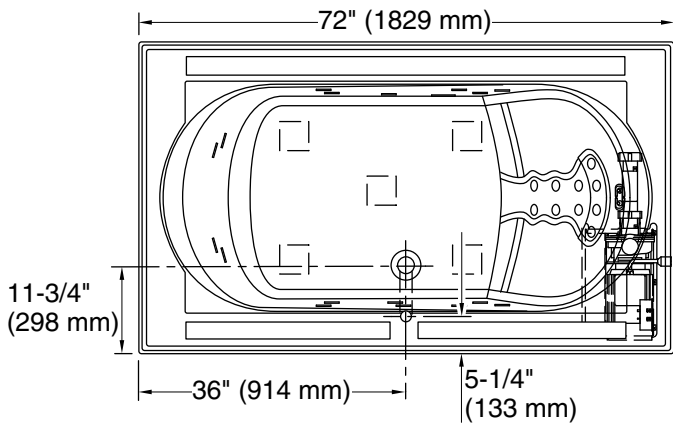
See website for detailed warranty information.

Available Colors/Finishes


Color tiles intended for reference only.

Color	Code	Description
-------	------	-------------

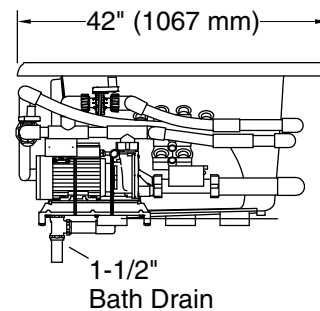
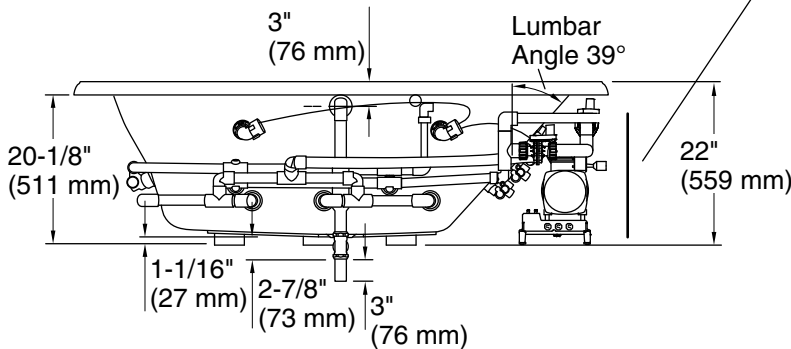
	0	White
	96	Biscuit



No change in measurement if connected with drain illustrated. (K-7161-AF)

 Recommended Faucet Location

Pump/Control Access
34" (864 mm) W x 15" (381 mm) H



Required Electrical Service

One dedicated circuit required, protected with Class A Ground-Fault Circuit-Interrupter (GFCI). Outside North America, this device may be known as a Residual Current Device (RCD).

Pump: 240 V, 20 A, 50/60 Hz

Technical Information

All product dimensions are nominal.

Drain location: Center
 Basin area, bottom: 41-3/4" x 27-3/16" (1060 mm x 691 mm)
 Basin area, top: 60" x 30" (1524 mm x 762 mm)
 Weight: 140 lbs (63.5 kg)
 Minimum floor load: 44 lbs/ft² (214.8 kg/m²)
 Water depth: 16" (406 mm)
 Water capacity: 86 gal (325.5 L)
 Cutout: Drop-in, 70-1/2" x 40-1/2" (1791 mm x 1029 mm)

Electrical component Pump: 240 V, 11 A, 50/60 Hz, 1500 W rating:

Pump speed: Variable

Minimum flat for 3-13/16" (97 mm)

1-800-4KOHLER (1-800-456-4537)

Kohler Co. reserves the right to make revisions without notice to product specifications.

For the most current Specification Sheet, go to www.kohler.com USA or www.kohler.ca Canada

11-19-2024 21:39 - US/CA

Notes

Measure your actual product for rough-in details.

Install this product according to the installation instructions.

The hot water supply should be 70% of the capacity of the bath or greater. Installations will vary.

This whirlpool is designed for drop-in installation only. It is not suited for use in a three wall alcove with an overhead shower.

If installing a rim-mount faucet, make sure there is no interference above or below the deck before drilling any holes.