



Flight of Fancy™ with Gold Caxton®

19-1/4" oval undermount bathroom sink, no overflow
K-14218-FG

Features

- Decorated with a subtle floral pattern and gold bands on White background
- Oval basin
- No faucet holes; requires wall- or counter-mount faucet
- Fits standard 14" x 17" (356 x 432 mm) countertop cutout

Material

- Vitreous china

Installation

- Undermount

Recommended Products/Accessories

- K-9018 P-Trap
- K-23726 Drain treatment
- K-23725 Cast iron cleaner

Included Components

- 1193643 Basin clamps



ADA

CSA B651

Codes/Standards

ASME A112.19.2/CSA B45.1
ADA
ICC/ANSI A117.1
CSA B651
IAPMO Certification

KOHLER® One-Year Limited Warranty

See website for detailed warranty information.

1-800-4KOHLER (1-800-456-4537)

Kohler Co. reserves the right to make revisions without notice to product specifications.

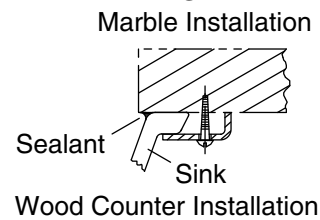
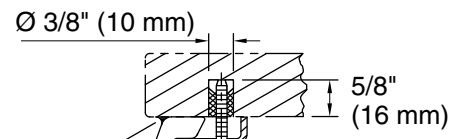
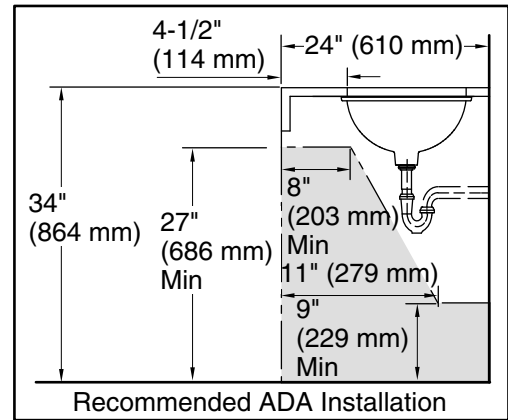
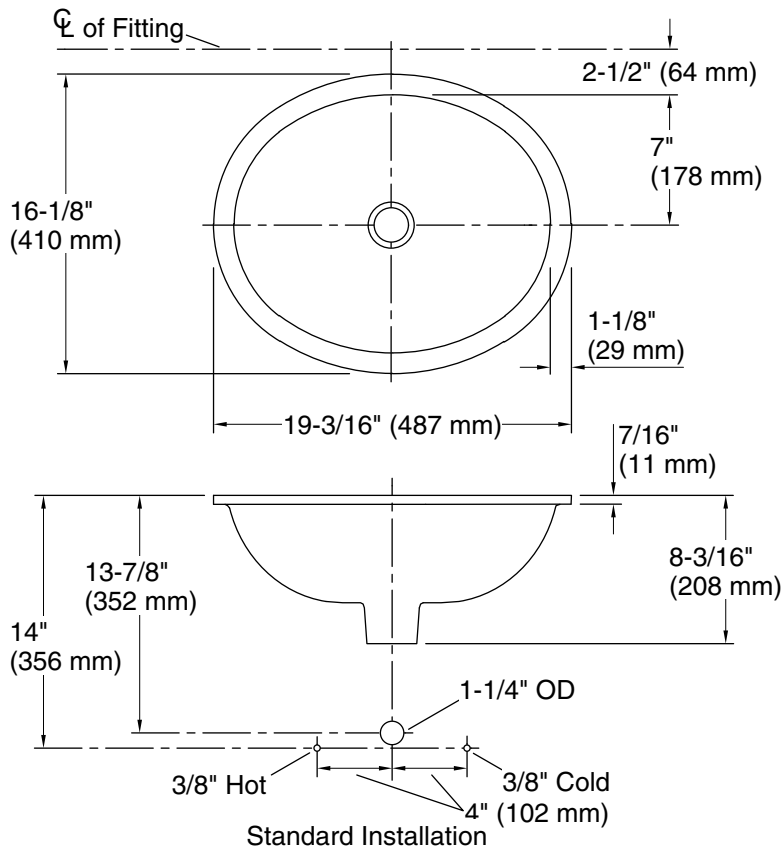
For the most current Specification Sheet, go to www.kohler.com USA or www.kohler.ca Canada

7-17-2024 00:30 - US

THE BOLD LOOK
OF **KOHLER**®



Flight of Fancy™ with Gold Caxton®
 19-1/4" oval undermount bathroom sink, no overflow
K-14218-FG



Technical Information

All product dimensions are nominal.

- Bowl configuration: Single
- Bowl area (Only): Length: 17" (432 mm)
 Width: 14" (356 mm)
 Water depth: 6-3/8" (162 mm)
- With overflow: No
- Drain hole: 1-3/4" (44 mm)
- Template: 1151011-7, required, included

Notes

Install this product according to the installation instructions.

NOTICE: Countertop manufacturer or cutter must use the cut-out template provided with the product, or a current one provided by Kohler Co. (call 1-800-4-KOHLER). Kohler Co. is not responsible for cutout errors when the incorrect cut-out template is used.

ADA, CSA B651 compliant when installed to the specific requirements of these regulations.