



Sartorial™ Paisley Caxton®

19-1/4" oval undermount bathroom sink
K-14218-FP2

Features

- Decorated with a textural Paisley design on Black background
- Deep oval basin
- No faucet holes; requires wall- or counter-mount faucet

Material

- Vitreous china

Installation

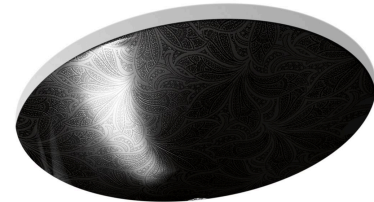
- Undermount

Recommended Products/Accessories

K-9018 P-Trap
K-23726 Drain treatment
K-23725 Cast iron cleaner

Included Components

1193643 Basin clamps



ADA CSA B651

Codes/Standards

ASME A112.19.2/CSA B45.1
ADA
ICC/ANSI A117.1
CSA B651
IAPMO Certification

KOHLER® Vitreous China Bathroom Sink Lifetime Limited Warranty

See website for detailed warranty information.

Available Colors/Finishes

Color tiles intended for reference only.

Color Code Description

■	7	Black Black™
---	---	--------------

1-800-4KOHLER (1-800-456-4537)

Kohler Co. reserves the right to make revisions without notice to product specifications.

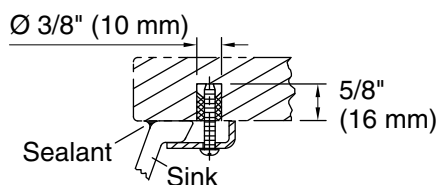
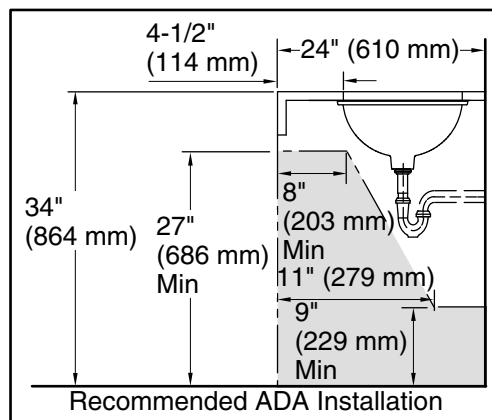
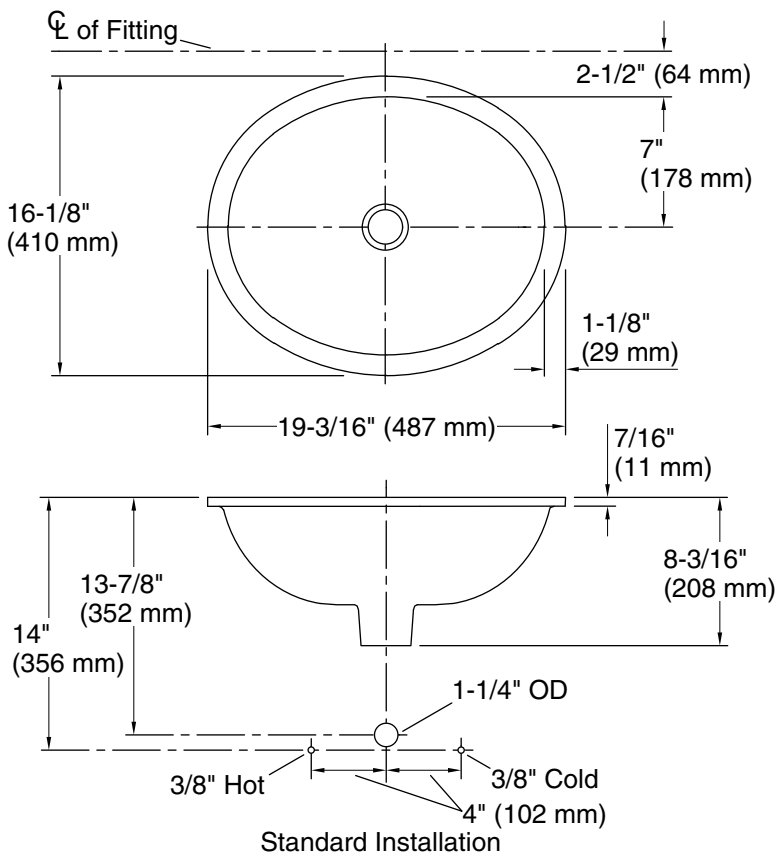
For the most current Specification Sheet, go to www.kohler.com USA or www.kohler.ca Canada

10-21-2024 22:44 - US/CA

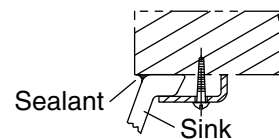
THE BOLD LOOK
OF **KOHLER**®



Sartorial™ Paisley Caxton®
 19-1/4" oval undermount bathroom sink
K-14218-FP2



Marble Installation



Wood Counter Installation

Technical Information

All product dimensions are nominal.

- Basin configuration: Single Bowl
- Bowl area (Only): Length: 17" (432 mm)
 Width: 14" (356 mm)
 Water depth: 6-3/8" (162 mm)
- With overflow: Yes
- Drain hole: 1-3/4" (44 mm)
- Template: 1151011-7, required, included

Notes

Install this product according to the installation instructions.

NOTICE: Countertop manufacturer or cutter must use the current product template available at www.kohler.com, or by calling 1-800-4KOHLER. Kohler Co. is not responsible for cutout errors when the incorrect cutout template is used.

ADA, CSA B651 compliant when installed to the specific requirements of these regulations.