



Sartorial™ Herringbone Caxton®

19-1/4" oval undermount bathroom sink, no overflow
K-14218-HD1

Features

- Decorated with a textural Herringbone design on White background
- Deep oval basin
- No faucet holes; requires wall- or counter-mount faucet

Material

- Vitreous china

Installation

- Undermount

Recommended Products/Accessories

- K-9018 P-Trap
- K-23726 Drain treatment
- K-23725 Cast iron cleaner

Included Components

- 1193643 Basin clamps



ADA

CSA B651

Codes/Standards

ASME A112.19.2/CSA B45.1
ADA
ICC/ANSI A117.1
CSA B651

KOHLER® Vitreous China Bathroom Sink Lifetime Limited Warranty

See website for detailed warranty information.

Available Colors/Finishes

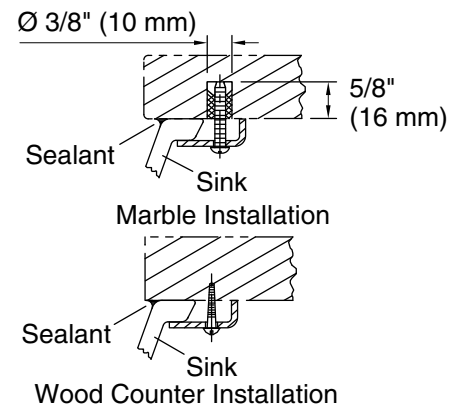
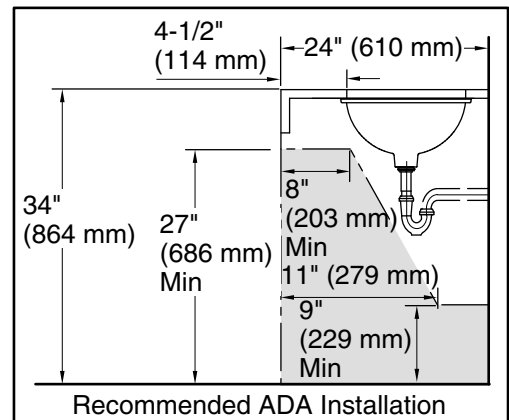
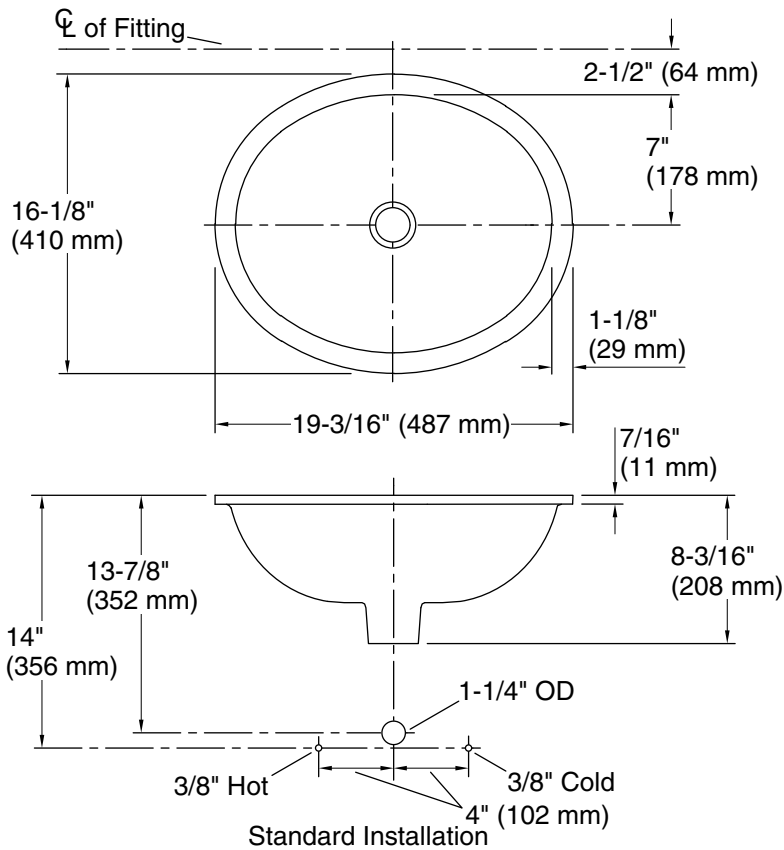
Color tiles intended for reference only.

Color Code Description

	0	White
---	---	-------



Sartorial™ Herringbone Caxton®
 19-1/4" oval undermount bathroom sink, no overflow
K-14218-HD1



Technical Information

All product dimensions are nominal.

Basin configuration: Single Bowl

Bowl area (Only): Length: 17" (432 mm)
 Width: 14" (356 mm)
 Water depth: 6-3/8" (162 mm)

With overflow: No

Drain hole: 1-3/4" (44 mm)

Template: 1151011-7, required, included

Notes

Install this product according to the installation instructions.

NOTICE: Countertop manufacturer or cutter must use the current product template available at www.kohler.com, or by calling 1-800-4KOHLER. Kohler Co. is not responsible for cutout errors when the incorrect cutout template is used.

ADA, CSA B651 compliant when installed to the specific requirements of these regulations.