



## Prairie Flowers™ Caxton®

Undermount bathroom sink  
K-14218-WF

### Features

- Decorated with an elegant floral pattern with Polished Gold accents on Biscuit background
- Oval basin
- No faucet holes; requires wall- or counter-mount faucet
- Fits standard 14" x 17" (356 x 432 mm) countertop cutout
- Coordinates with other products with the Prairie Flowers design

### Material

- Vitreous china

### Installation

- Undermount

### Recommended Products/Accessories

- K-9018 P-Trap
- K-23726 Drain treatment
- K-23725 Cast iron cleaner

### Included Components

- 1193643 Basin clamps



ADA

CSA B651

### Codes/Standards

ASME A112.19.2/CSA B45.1  
ADA  
ICC/ANSI A117.1  
CSA B651  
IAPMO Certification

### KOHLER® One-Year Limited Warranty

See website for detailed warranty information.

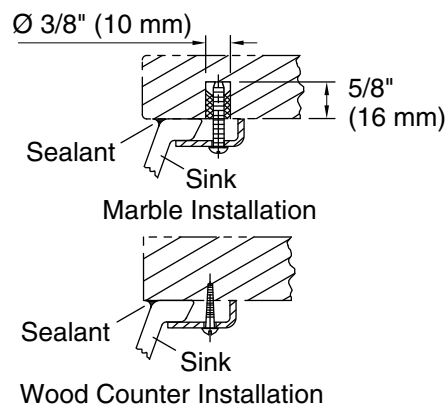
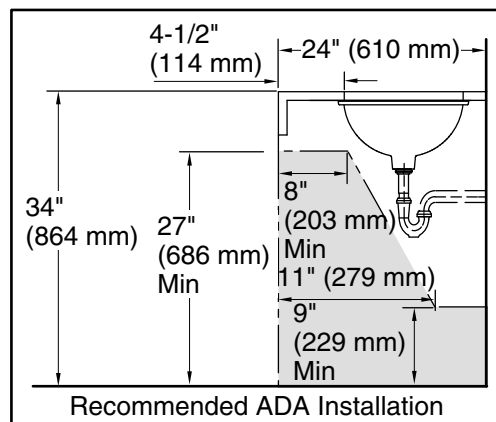
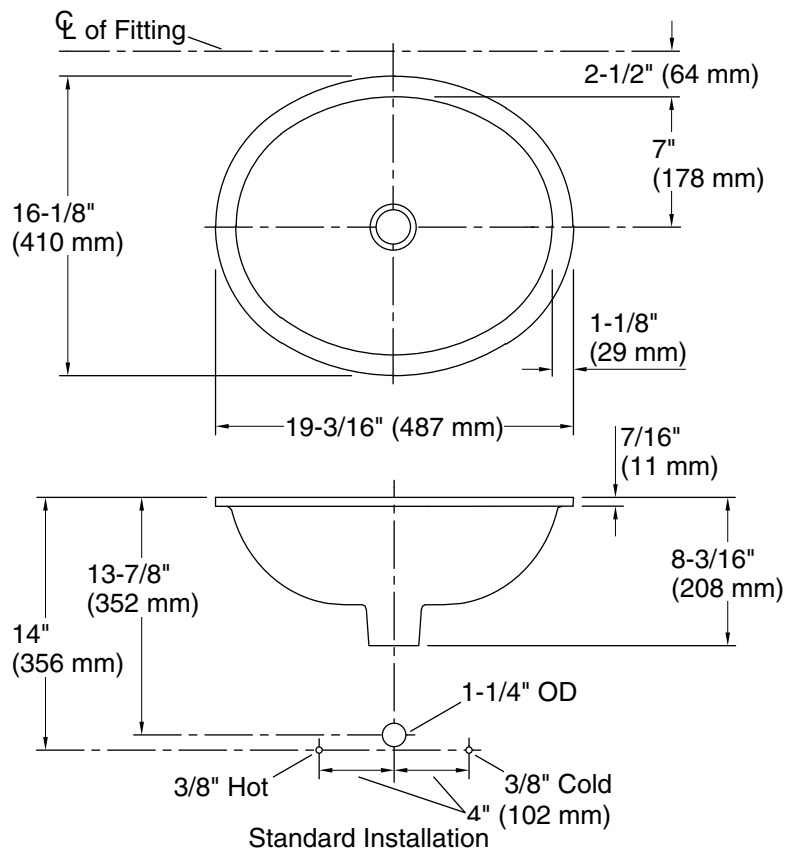
1-800-4KOHLER (1-800-456-4537)

Kohler Co. reserves the right to make revisions without notice to product specifications.

For the most current Specification Sheet, go to [www.kohler.com](http://www.kohler.com) USA or [www.kohler.ca](http://www.kohler.ca) Canada

7-13-2024 20:04 - US

THE BOLD LOOK  
OF **KOHLER**®



### Technical Information

All product dimensions are nominal.

- Bowl configuration: Single
- Bowl area (Only):
  - Length: 17" (432 mm)
  - Width: 14" (356 mm)
  - Water depth: 6-3/8" (162 mm)
- With overflow: No
- Drain hole: 1-3/4" (44 mm)
- Template: 1151011-7, required, included

### Notes

Install this product according to the installation instructions.

NOTICE: Countertop manufacturer or cutter must use the cut-out template provided with the product, or a current one provided by Kohler Co. (call 1-800-4-KOHLER). Kohler Co. is not responsible for cutout errors when the incorrect cut-out template is used.

ADA, CSA B651 compliant when installed to the specific requirements of these regulations.