



# Serpentine Bronze™ Conical Bell®

16-1/4" round vessel bathroom sink, no overflow  
K-14223-SP

## Features

- Decorated with a sea life pattern on Sandbar background
- Round bowl-like basin
- No faucet holes; requires wall- or counter-mount faucet

## Material

- Vitreous china

## Installation

- Vessel



ADA

CSA B651

### Codes/Standards

ASME A112.19.2/CSA B45.1

ADA

ICC/ANSI A117.1

CSA B651

IAPMO Certification

### KOHLER® One-Year Limited Warranty

See website for detailed warranty information.

### Available Colors/Finishes

*Color tiles intended for reference only.*

Color	Code	Description
-------	------	-------------



G9

Sandbar

1-800-4KOHLER (1-800-456-4537)

Kohler Co. reserves the right to make revisions without notice to product specifications.

For the most current Specification Sheet, go to [www.kohler.com](http://www.kohler.com) USA or [www.kohler.ca](http://www.kohler.ca) Canada

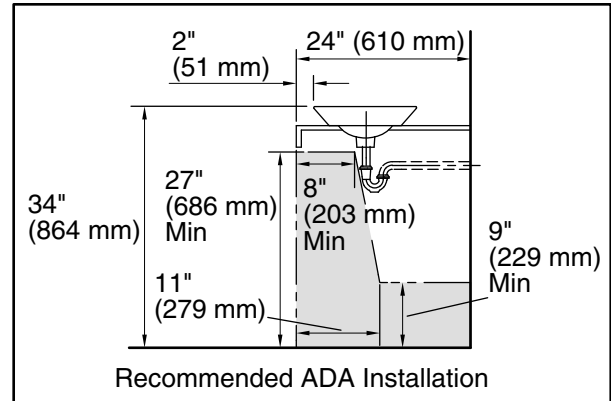
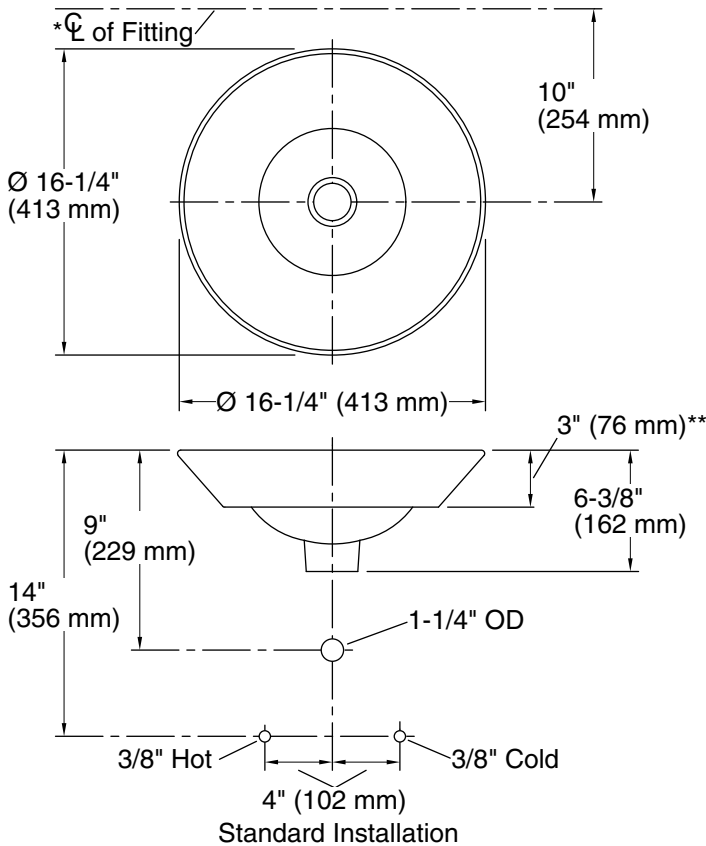
7-9-2024 21:09 - US

THE BOLD LOOK  
OF **KOHLER**®



# Serpentine Bronze™ Conical Bell®

16-1/4" round vessel bathroom sink, no overflow  
K-14223-SP



## Technical Information

All product dimensions are nominal.

Bowl configuration:	Single
Bowl area (Only):	Length: 15-5/16" (389 mm) Width: 15-5/16" (389 mm) Bowl depth: 4-3/8" (111 mm) Water depth: 4-1/4" (108 mm)
With overflow:	No
Drain hole:	1-3/4" (44 mm)
Template:	1002980-7, required, included

## Notes

Install this product according to the installation instructions.

\*Spout must be 5" (127 mm) long (min) for adequate clearance into the bathroom sink when installed with centerline as shown.

NOTICE: Countertop manufacturer or cutter must use the cut-out template provided with the product, or a current one provided by Kohler Co. (call 1-800-4-KOHLER). Kohler Co. is not responsible for cut-out errors when the incorrect cut-out template is used.

ADA, CSA B651 compliant when installed to the specific requirements of these regulations.