



Caravan® Persia Conical Bell® | K-14223-SR2

16-1/4" round vessel bathroom sink, no overflow

Features

- Decorated with a Moorish design on White background
- Round bowl-like basin
- No faucet holes; requires wall- or counter-mount faucet



1-800-4KOHLER (1-800-456-4537)
Kohler Co. reserves the right to make revisions without notice to product specifications.
For the most current specification sheet, go to www.kohler.com USA or www.kohler.ca Canada.
5-31-2026 2:5 - US-CA

THE BOLD LOOK
OF **KOHLER**®

Codes/Standards

ADA, CSA B651 compliant when installed to the specific requirements of these regulations.

ADA CSA B651

ASME A112.19.2/CSA B45.1

ADA

ICC/ANSI A117.1

CSA B651

Technical Information

| | |
|----------------------|-------------------|
| Drain Hole Diameter: | 1-3/4" (44 mm) |
| Basin Configuration: | Single Bowl |
| Basin Length: | 15-5/16" (389 mm) |
| Basin Width: | 15-5/16" (389 mm) |
| Basin Depth: | 4-3/8" (111 mm) |

Material

- Vitreous china

Recommended Products/Accessories

K-23726 Drain treatment

K-7114 Premier pop-up drain, exposed, without overflow

K-7129 Bathroom sink grid drain without overflow

K-9018 Adjustable P-trap with long tubing outlet, 1-1/4" x 1-1/4"

K-23725 Cast iron cleaner

Warranty

See website for detailed warranty information.

KOHLER® Vitreous China Bathroom Sink Lifetime Limited Warranty

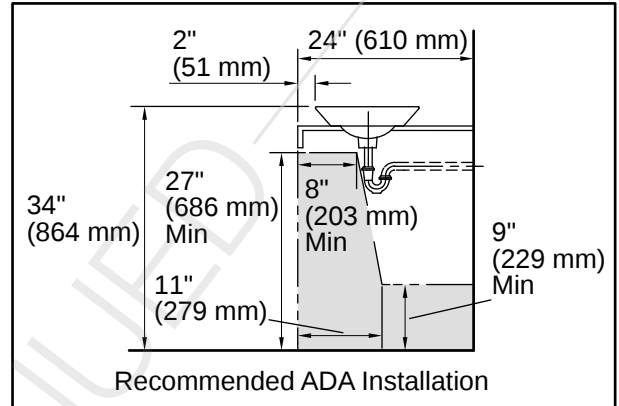
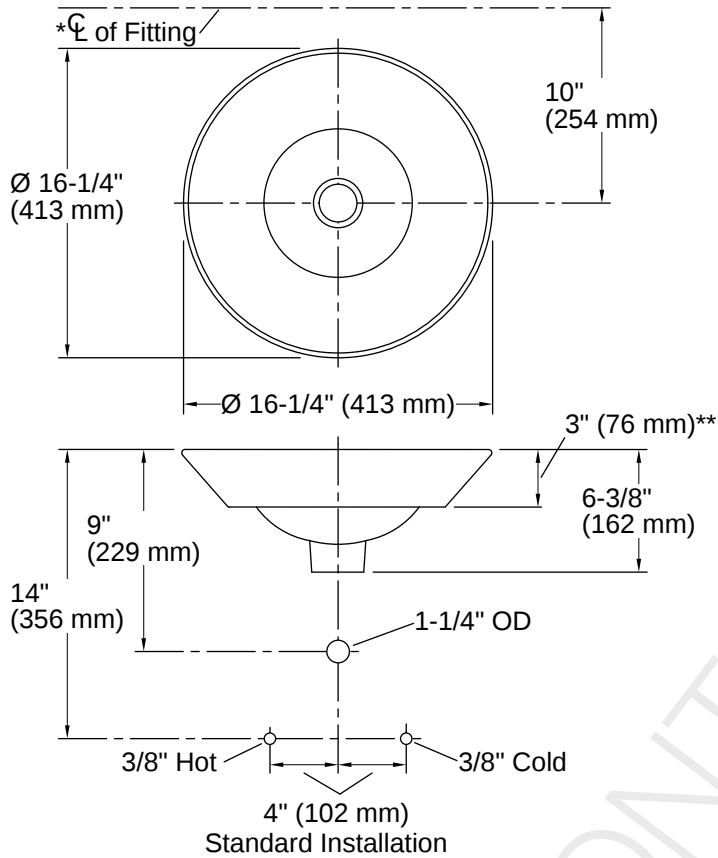


1-800-4KOHLER (1-800-456-4537)

Kohler Co. reserves the right to make revisions without notice to product specifications.

For the most current specification sheet, go to www.kohler.com USA or www.kohler.ca Canada.

5-31-2026 2:5 - US-CA



Installation

- Vessel

Installation Notes

Install this product according to the installation instructions.

*Spout must be 5" (127 mm) long (min) for adequate clearance into the bathroom sink when installed with centerline as shown.

NOTICE: Countertop manufacturer or cutter must use the cut-out template provided with the product, or a current one provided by Kohler Co. (call 1-800-4-KOHLER). Kohler Co. is not responsible for cut-out errors when the incorrect cut-out template is used.

Product dimensions are nominal and may vary per ASME A112.19.2 tolerances.

ADA, CSA B651 compliant when installed to the specific requirements of these regulations.

