



Empress Bouquet™ Kathryn®

19-3/4" square undermount bathroom sink, no overflow

K-14275-SMC

Features

- Decorated with a Chinese-inspired metallic floral pattern on White background
- Square basin
- No faucet holes; requires wall- or counter-mount faucet
- Coordinates with other products with the Empress Bouquet design

Material

- Vitreous china

Installation

- Undermount

Recommended Products/Accessories

- K-23726 Drain treatment
- K-23725 Cast iron cleaner

Included Components

- 1193643 Basin clamps



ADA

CSA B651

Codes/Standards

ASME A112.19.2/CSA B45.1
ADA
ICC/ANSI A117.1
CSA B651
IAPMO Certification


KOHLER® Vitreous China Bathroom Sink Lifetime Limited Warranty

See website for detailed warranty information.

Available Colors/Finishes

Color tiles intended for reference only.

Color	Code	Description
-------	------	-------------

	0	White
---	---	-------

1-800-4KOHLER (1-800-456-4537)

Kohler Co. reserves the right to make revisions without notice to product specifications.

For the most current Specification Sheet, go to www.kohler.com USA or www.kohler.ca Canada

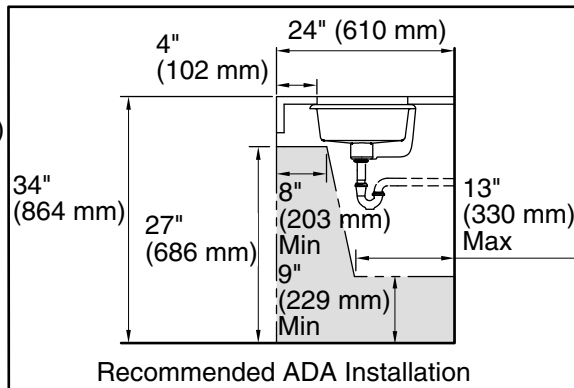
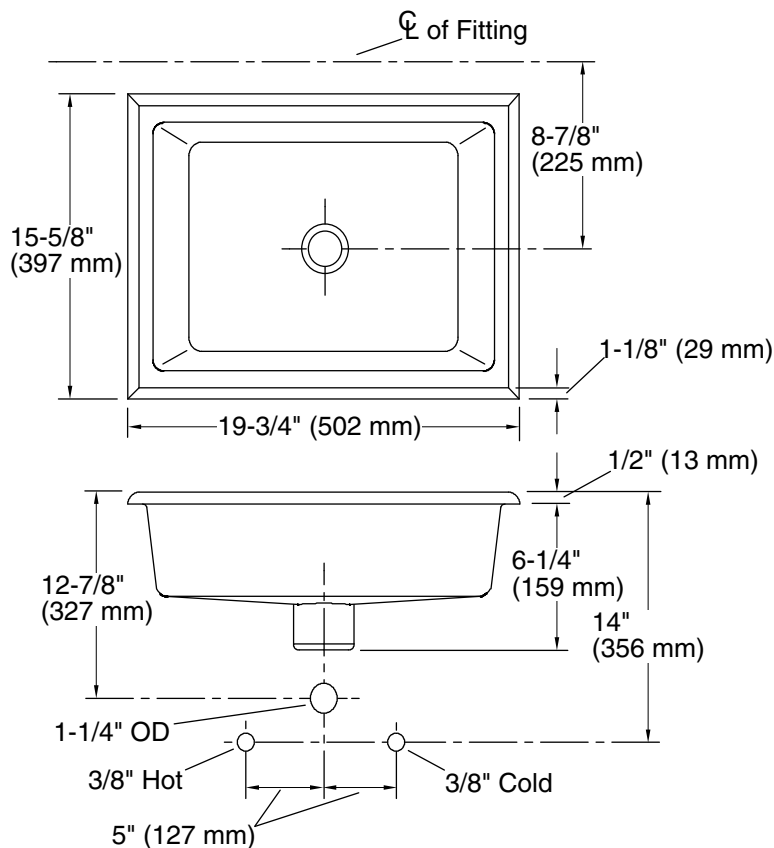
10-22-2024 00:25 - US/CA

THE BOLD LOOK
OF **KOHLER**®



Empress Bouquet™ Kathryn®

19-3/4" square undermount bathroom sink, no overflow
K-14275-SMC



Technical Information

All product dimensions are nominal.

- Basin configuration: Single Bowl
- Bowl area (Only): Length: 17" (432 mm)
Width: 13" (330 mm)
Water depth: 4-1/2" (114 mm)
- With overflow: No
- Drain hole: 1-3/4" (44 mm)
- Template: 1006809-7, required, not included

Notes

Install this product according to the installation instructions.

NOTICE: Countertop manufacturer or cutter must use the current product template available at www.kohler.com, or by calling 1-800-4KOHLER. Kohler Co. is not responsible for cutout errors when the incorrect cutout template is used.

ADA, CSA B651 compliant when installed to the specific requirements of these regulations.