

## Features

- Vertical holder makes changing toilet paper quick and simple
- Coordinates with other products in the Purist collection

## Material

- Solid-brass construction for durability and reliability
- KOHLER finishes resist corrosion and tarnishing

## Installation

- Installation tools included



## Codes/Standards

None Applicable

## KOHLER® Produtos para Cozinhas e Banheiros Ltda Faucets Fifteen-Year Limited Warranty

See website for detailed warranty information.

## Available Colors/Finishes

*Color tiles intended for reference only.*

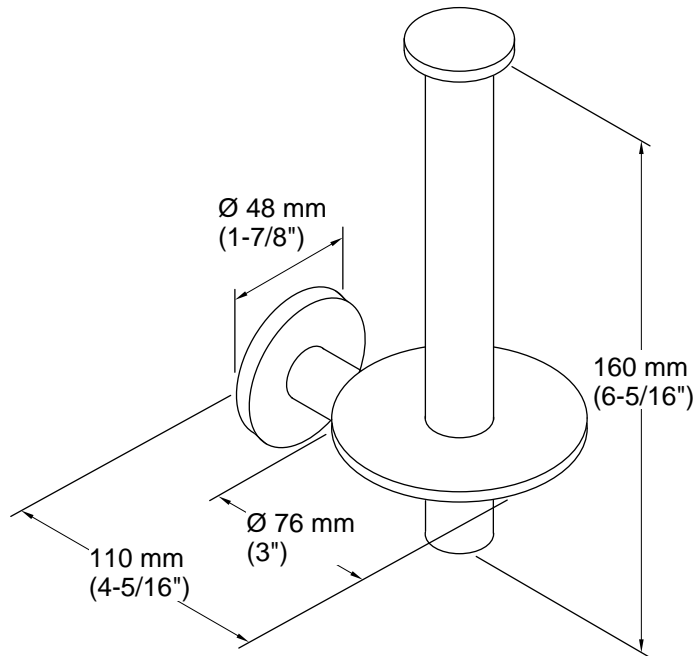
Color	Code	Description
-------	------	-------------



CP	Polished Chrome
----	-----------------



BN	Vibrant® Brushed Nickel
----	-------------------------



### Technical Information

All product dimensions are nominal.

Material: Metal

### Notes

Install this product according to the installation guide.