

#### Features

- No faucet holes; requires wall- or counter-mount faucet
- Overflow drain

#### Material

- Vitreous china

#### Installation

- Vessel

#### Recommended Products/Accessories

- K-23726 Drain treatment
- K-23725 Cast iron cleaner



ADA

CSA B651

#### Codes/Standards




ASME A112.19.2/CSA B45.1  
ADA  
CSA B651  
IAPMO Certification

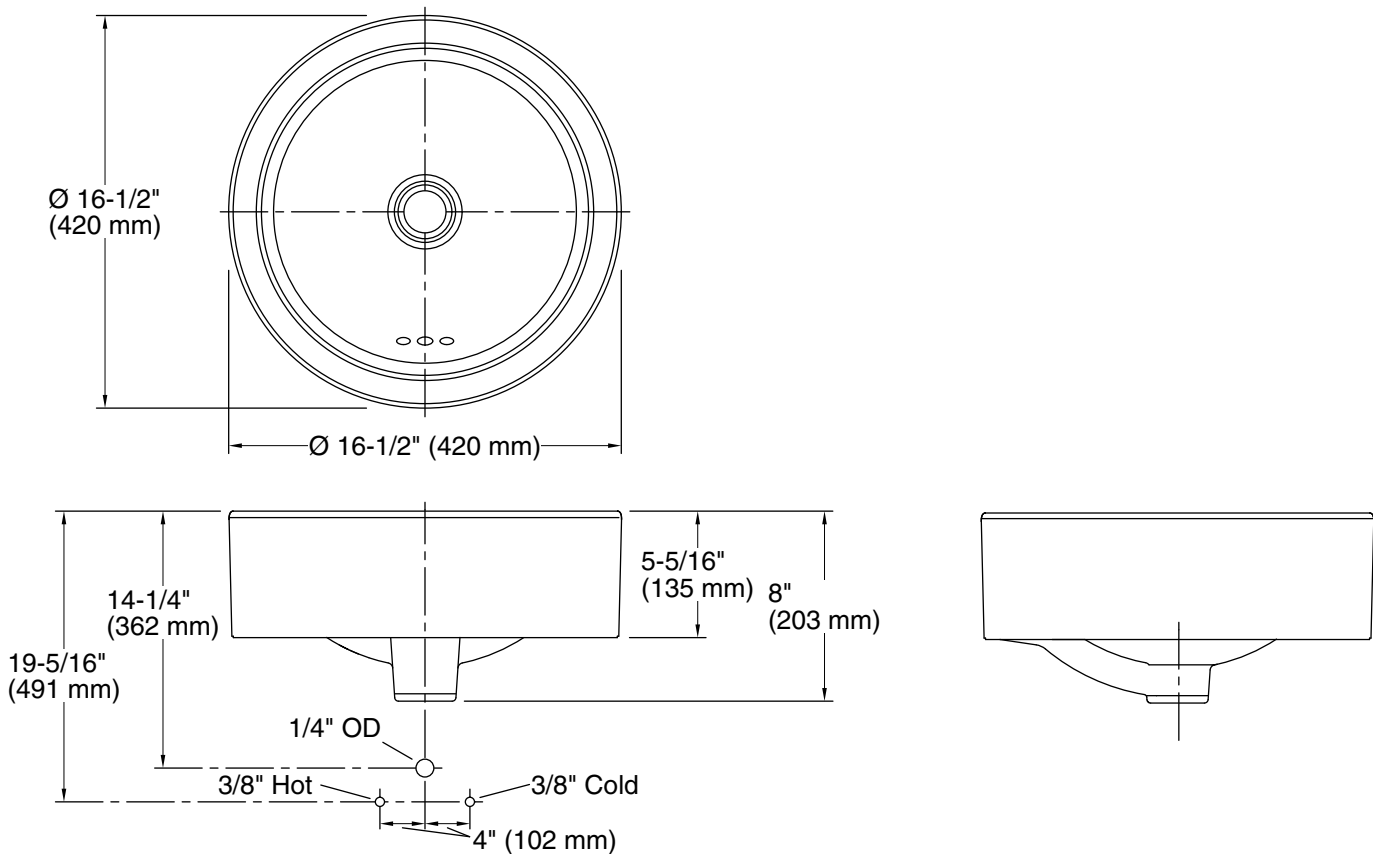
#### KOHLER® Vitreous China Bathroom Sink Lifetime Limited Warranty

See website for detailed warranty information.

#### Available Colors/Finishes

*Color tiles intended for reference only.*

Color	Code	Description
	0	White
	96	Biscuit
	7	Black Black™



## Technical Information

All product dimensions are nominal.

Basin configuration:	Single Bowl
Bowl area:	Water depth: 5-3/4" (146 mm)
With overflow:	Yes
Drain hole:	1-3/4" (44 mm)
Template:	1144643-7, required, included

## Notes

Install this product according to the installation instructions.

Choose a faucet that will provide adequate clearance and will direct the water stream to the center of the bathroom sink.

Spout must be mounted high enough to clear 5-5/16" (135 mm) rim height and provide a 1" (25 mm) min air gap per ASME A112.1.2.

**NOTICE:** Countertop manufacturer or cutter must use the cut-out template provided with the product, or a current one provided by Kohler Co. (call 1-800-4KOHLER). Kohler Co. is not responsible for cutout errors when incorrect cut-out template is used.

Product rests on a countertop. Consider height of product when designing installation.

ADA, CSA B651 compliant when installed to the specific requirements of these regulations.