

### Features

- Metal construction
- One-piece, self-contained ceramic disc valve allows for both volume and temperature control
- 8-1/2" (216 mm) swing spout reach
- Flexible supplies
- Matching finish side sprayer
- 1.5 gpm (5.7 lpm) maximum flow rate at 60 psi (4.14 bar)

### Recommended Products/Accessories

K-23723 Faucet cleaner

### Optional Products/Accessories

1030920 Side Spray Deep Rough-In

1160594 .35 gpm Aerator, Large



ADA

CSA B651

### Codes/Standards

ASME A112.18.1/CSA B125.1

NSF/ANSI/CAN 61

NSF/ANSI/CAN 372

All applicable US Federal and State material regulations

DOE - Energy Policy Act 1992

California Energy Commission (CEC)

ADA

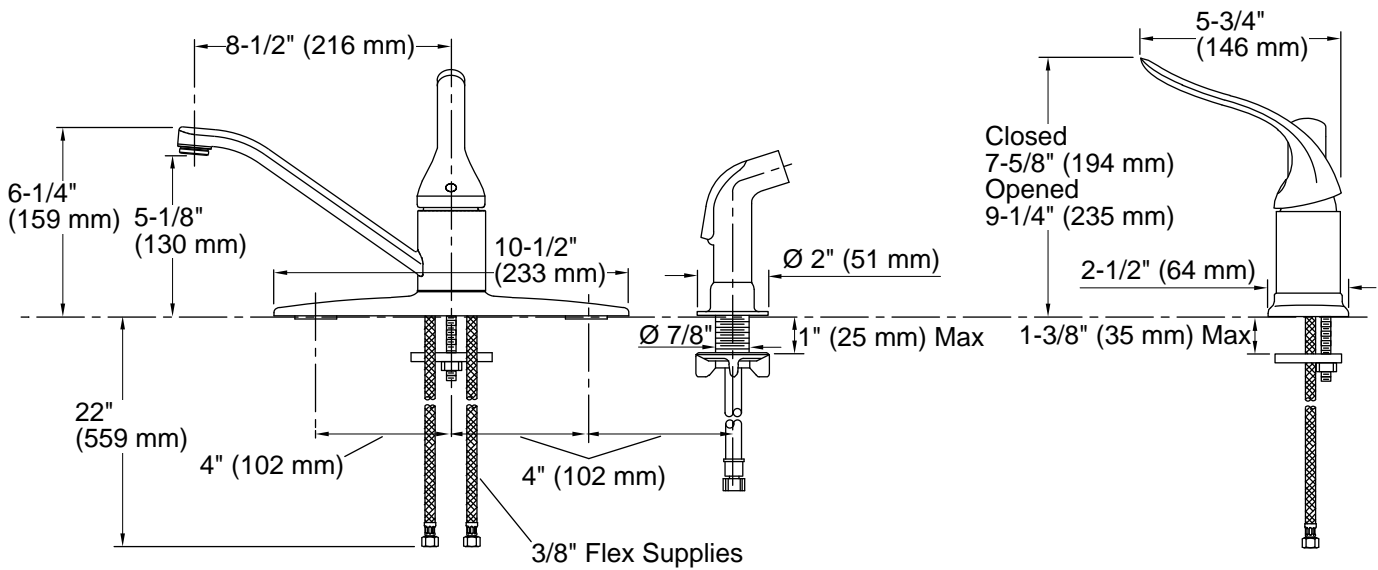
ICC/ANSI A117.1

CSA B651

IAPMO Certification

### KOHLER® Faucet Lifetime Limited Warranty

See website for detailed warranty information.



### Technical Information

All product dimensions are nominal.

#### Faucet:

Flow rate: 1.5 gal/min (5.7 l/min)

#### Spout:

Spout reach: 8-1/2" (216 mm)

### Notes

Install this product according to the installation guide.

ADA compliant for faucet handles only.

ADA compliant for faucet handles only

ADA, CSA B651 compliant when installed to the specific requirements of these regulations.