

Features

- Metal construction
- One-piece, self-contained ceramic disc valve allows for both volume and temperature control
- Stationary spout
- Flexible connections
- 4-3/16" (107 mm) stationary spout reach
- Less drain and lift rod
- Red/blue indexing
- 1.2 gpm (4.5 lpm) maximum flow rate at 60 psi (4.14 bar)

Recommended Products/Accessories

K-23726 Drain treatment
K-23723 Faucet cleaner

Optional Products/Accessories

1160594 .35 gpm Aerator, Large



ADA

CSA B651

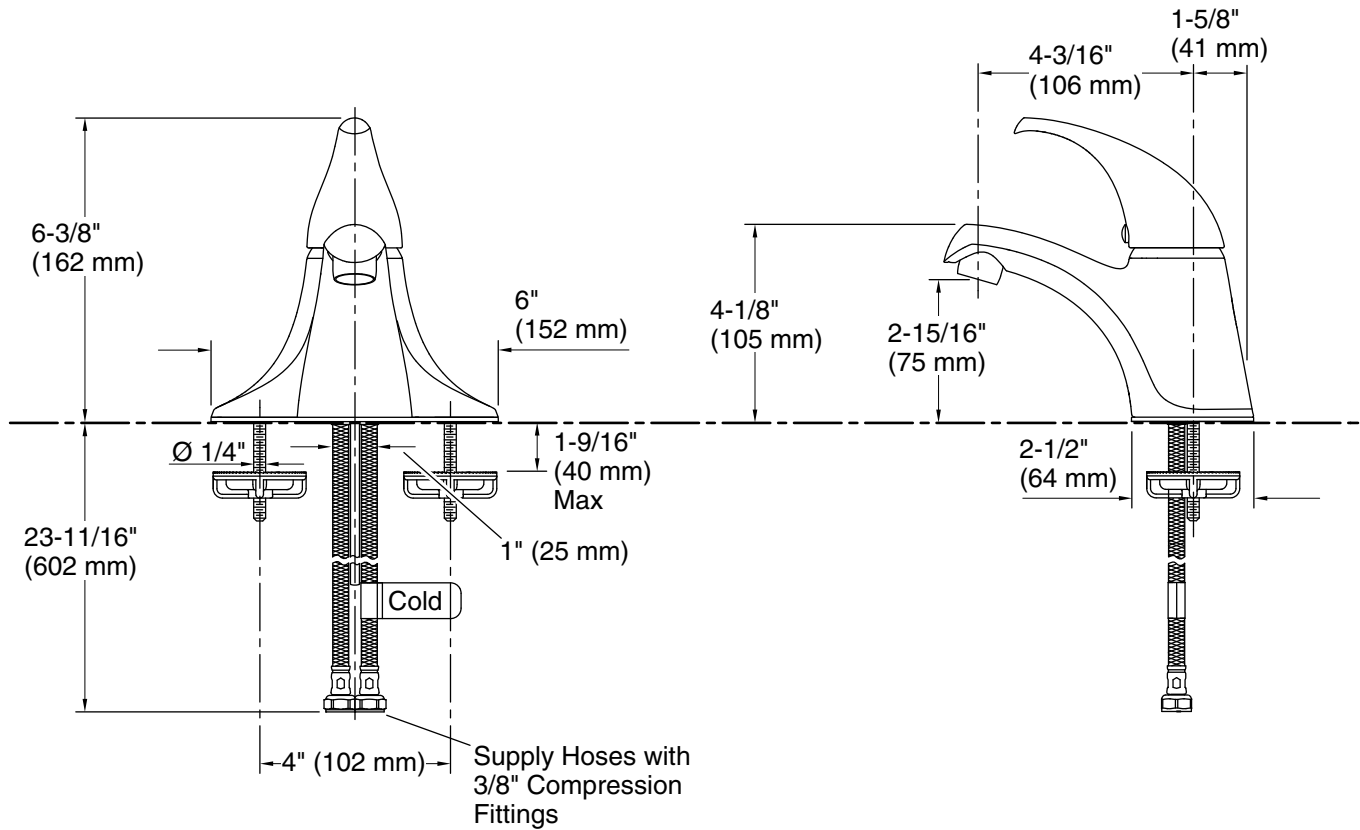
OBC

Codes/Standards

ASME A112.18.1/CSA B125.1
NSF/ANSI/CAN 61
NSF/ANSI/CAN 372

KOHLER® Faucet Lifetime Limited Warranty

See website for detailed warranty information.



Technical Information

All product dimensions are nominal.

Faucet flow rate: 1.2 gal/min (4.5 l/min)

Drain included: No

Spout:

Spout reach: 4-3/16" (106 mm)

Notes

Install this product according to the installation guide.

ADA compliant for handles only.

ADA, OBC, CSA B651 compliant when installed to the specific requirements of these regulations.