

### Features

- Metal construction
- One-piece, self-contained ceramic disc valve allows for both volume and temperature control
- 4-3/16" (107 mm) spout reach
- Stationary spout
- Metal throat plate
- Flexible connections
- Less drain and lift rod
- Red/blue indexing
- Vandal-resistant aerator
- 0.5 gpm (1.9 lpm) maximum flow rate at 60 psi (4.14 bar)

### Installation

- For 4" (102 mm) centers

### Recommended Products/Accessories

- K-23726 Drain treatment
- K-23723 Faucet cleaner

### Optional Products/Accessories

- 1160594 .35 gpm Aerator, Large



ADA

CSA B651

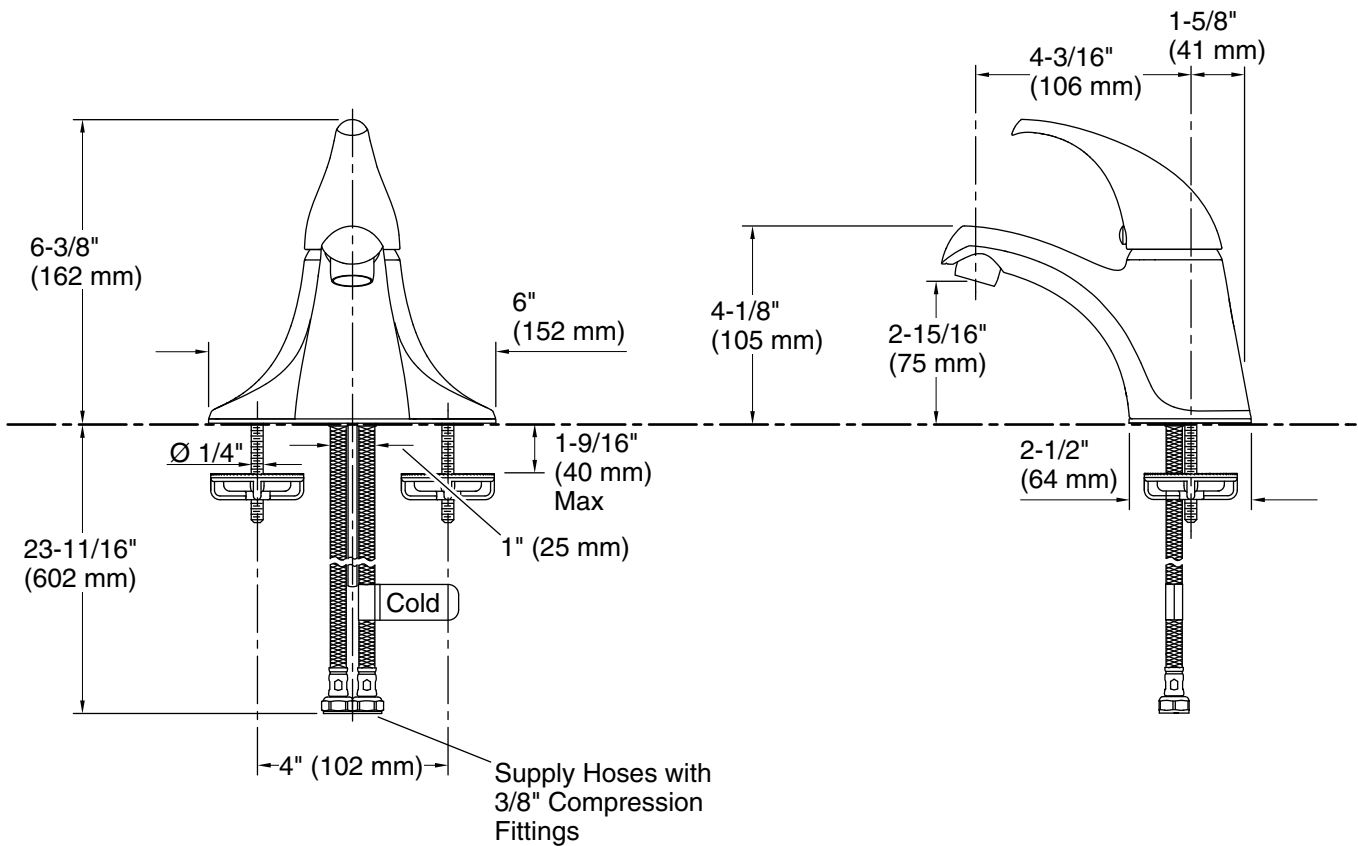
OBC

### Codes/Standards

ASME A112.18.1/CSA B125.1  
NSF/ANSI/CAN 61  
NSF/ANSI/CAN 372  
All applicable US Federal and State material regulations  
DOE - Energy Policy Act 1992  
California Energy Commission (CEC)  
ADA  
ICC/ANSI A117.1  
CSA B651  
OBC  
IAPMO Certification

### KOHLER® Faucet Lifetime Limited Warranty

See website for detailed warranty information.



### Technical Information

All product dimensions are nominal.

#### Faucet:

Flow rate: 0.5 gal/min (1.9 l/min)

Drain included: No

Drain with overflow: Yes

#### Spout:

Spout reach: 4-3/16" (106 mm)

#### Handshower:

Rated maximum flow: 0 gal/min (0 l/min)

### Notes

Install this product according to the installation guide.

ADA compliant for handles only.

ADA, OBC, CSA B651 compliant when installed to the specific requirements of these regulations.